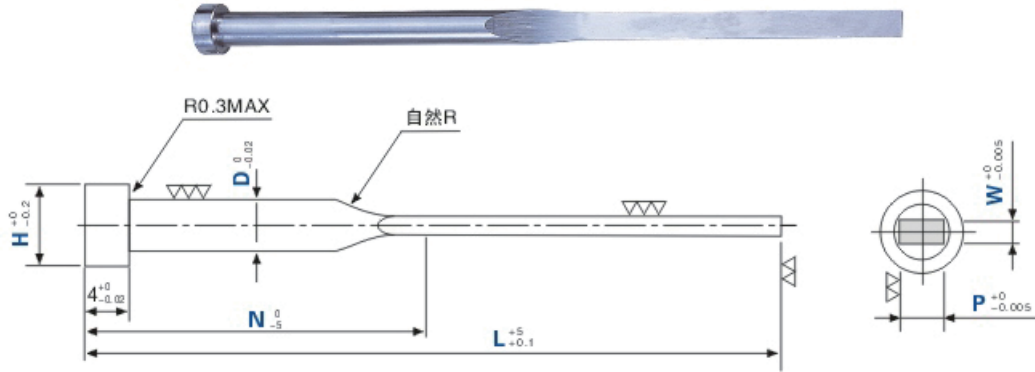


SKH51
+0
-0.005

精密級 方型扁銷 (N部指定)
Precision Rectangular Ejector Pin (N Can Choose)



105E



型號 Type:105E

單位: mm

P	W	D	H	L=100	L=150	L=200	L=250	P	W	D	H	L=100	L=150	L=200	L=250			
				N 以下表示								N 以下表示						
0.8	0.3	1.5	3					1.0	1.0	2.0	4	40	50	70				
1.0				40	50	70												
1.2				40	50	70												
1.0	0.4	2.0	4	40	50			2.5		5	40	50	70					
1.2				40	50	70												
1.5				40	50	70												
2.0				40	50	70												
2.5				40	50	70												
3.0				40	50	70												
1.0	0.5	2.0	4	40	50			3.0		6	40	50	70					
1.2				40	50	70												
1.5				40	50	70												
2.0				40	50	70												
2.5				40	50	70												
3.0				40	50	70												
1.0	0.6	2.0	4	40	50			3.5	7	40	50	70						
1.2				40	50	70												
1.5				40	50	70												
2.0				40	50	70												
2.5				40	50	70												
3.0				40	50	70												
1.0	0.7	2.0	4	40	50			4.0	9	40	50	70						
1.2				40	50	70												
1.5				40	50	70												
2.0				40	50	70												
2.5				40	50	70												
3.0				40	50	70												
1.0	0.8	2.0	4	40	50	70		4.5	9	40	50	70	120					
1.2				40	50	70												
1.5				40	50	70												
2.0				40	50	70												
2.5				40	50	70												
3.0				40	50	70												
1.0	1.5	3.0	6					5.0	10	50	70	120						
1.2				50	70	120												
1.5				50	70	120												
2.0				50	70	120												
2.5				50	70	120												
3.0				50	70	120												
3.5				50	70	120												
4.0				50	70	120												
1.0				2.0	3.5	7					5.5	11	50	70	120			
1.2							50	70	120									
1.5	50	70	120															
2.0	50	70	120															
2.5	50	70	120															
3.0	50	70	120															
3.5	50	70	120															
4.0	50	70	120															
1.0	2.0	4.0	9								6.0	11	50	70	120			
1.2							50	70	120									
1.5				50	70	120												
2.0				50	70	120												
2.5				50	70	120												
3.0				50	70	120												
3.5				50	70	120												
4.0				50	70	120												
1.0				2.0	4.5	10					6.5	11	50	70	120			
1.2							50	70	120									
1.5	50	70	120															
2.0	50	70	120															
2.5	50	70	120															
3.0	50	70	120															
3.5	50	70	120															
4.0	50	70	120															
1.0	2.0	5.0	13								7.0	13	50	70	120			
1.2							50	70	120									
1.5				50	70	120												
2.0				50	70	120												
2.5				50	70	120												
3.0				50	70	120												
3.5				50	70	120												
4.0				50	70	120												
1.0				2.0	5.5	15					7.5	13	50	70	120			
1.2							50	70	120									
1.5	50	70	120															
2.0	50	70	120															
2.5	50	70	120															
3.0	50	70	120															
3.5	50	70	120															
4.0	50	70	120															
1.0	2.0	6.0	15								8.0	13	50	70	120			
1.2							50	70	120									
1.5				50	70	120												
2.0				50	70	120												
2.5				50	70	120												
3.0				50	70	120												
3.5				50	70	120												
4.0				50	70	120												
1.0				2.0	6.5	15					8.5	13	50	70	120			
1.2							50	70	120									
1.5	50	70	120															
2.0	50	70	120															
2.5	50	70	120															
3.0	50	70	120															
3.5	50	70	120															
4.0	50	70	120															
1.0	2.0	7.0	15								9.0	15	50	70	120			
1.2							50	70	120									
1.5				50	70	120												
2.0				50	70	120												
2.5				50	70	120												
3.0				50	70	120												
3.5				50	70	120												
4.0				50	70	120												
1.0				2.0	7.5	15					9.5	15	50	70	120			
1.2							50	70	120									
1.5	50	70	120															
2.0	50	70	120															
2.5	50	70	120															
3.0	50	70	120															
3.5	50	70	120															
4.0	50	70	120															
1.0	2.0	8.0	15								10.0	15	50	70	120			
1.2							50	70	120									
1.5				50	70	120												
2.0				50	70	120												
2.5				50	70	120												
3.0				50	70	120												
3.5				50	70	120												
4.0				50	70	120												
1.0				2.0	8.5	15					10.5	15	50	70	120			
1.2							50	70	120									
1.5	50	70	120															
2.0	50	70	120															
2.5	50	70	120															
3.0	50	70	120															
3.5	50	70	120															
4.0	50	70	120															
1.0	2.0	9.0	15															
1.2							50	70	120									
1.5				50	70	120												
2.0				50	70	120												
2.5				50	70	120												
3.0				50	70	120												
3.5				50	70	120												
4.0				50	70	120												

訂購範例
Order

Type - P - W - D - H - L - N
105E - P1.2 - W0.6 - D2.0 - H4 - L100 - N40

■ 非標準規格，請以圖面聯繫訂製
Please contact us if you have other special request or specifications

交 期
Delivery

5 天出貨

Che Na

(FAX) (02)2688-3177

(E) info@chena.com.tw

(T) (02)2688-3188
(02)2688-3881~3

(L) 新北市樹林區光榮街21號

版權所有 重製必究