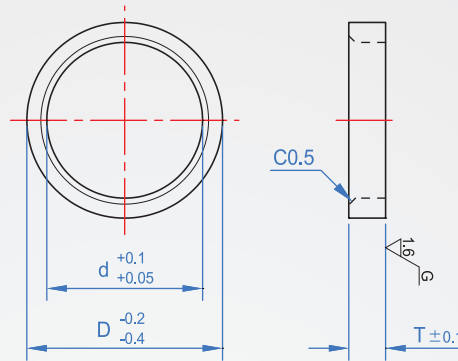


窄版墊圈

WA798



材質

SKS3

硬度

58~62HRC

How to order

WA798 - 20 - 3  
 TYPE 外徑 厚度

單位: mm

D 外徑	T 厚度選擇						d
	0.5	1	2	3	4	5	
5	●	●	●	●	●	●	3
7	●	●	●	●	●	●	4
8	●	●	●	●	●	●	5
9	●	●	●	●	●	●	6
11	●	●	●	●	●	●	8
13	●	●	●	●	●	●	10
16	●	●	●	●	●	●	13
19		●	●	●	●	●	16
23		●	●	●	●	●	20
28		●	●	●	●	●	25