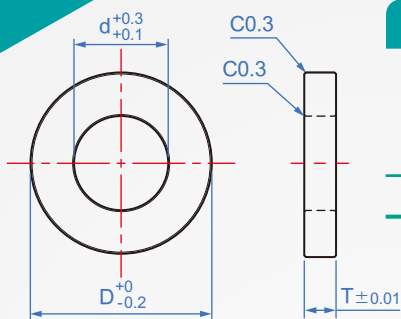


精密墊圈

WA791

公差0.01mm



材質	表面處理	硬度
S45C	染黑	-
	無電解鍍	HRC45~50
SUS440C	無電解鍍	-
	-	HRC45~50
	-	HRC45~

How to order



選擇材質

S45C+染黑.....	TB
S45C+無電解鍍.....	TN
S45C+染黑/HRC45~50.....	HB
S45C+無電解鍍/HRC45~50.....	HN
SUS440C/HRC45~50.....	SH

版權所有 重製必究

1 基準孔徑指定													2 外徑					3 厚度選擇															
d													D					T															
2	3	4	5	6	8	10	12	16	20	25	30	4	5	6	8	10	12	13	14	15	16	20	25	30	35	40	50	60	T1	T2	T3	T5	T10
●															●	●																	
●	●														●	●																	
●	●	●													●	●																	
●	●	●	●												●	●						●											
●	●	●	●	●											●	●						●											
	●	●	●	●	●										●	●						●											
		●	●	●	●	●									●	●						●											
			●	●	●	●	●								●	●						●											
				●	●	●	●	●							●	●						●											
					●	●	●	●	●						●	●						●											
						●	●	●	●	●					●	●						●											
							●	●	●	●	●				●	●						●											
								●	●	●	●	●			●	●						●											
									●	●	●	●	●		●	●						●											
										●	●	●	●	●	●	●						●											
											●	●	●	●	●	●	●					●											
												●	●	●	●	●	●	●				●											