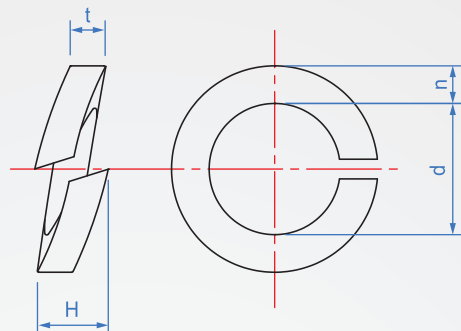


彈簧華司

WS782

DIN127B



材質

鋼 (鍍鋅)

SUS304

How to order

WS782 - M2 -

TYPE 適用螺絲

選擇材質

鋼.....

SUS304.....SUS



單位: mm

適用螺絲	t	容許差	n	容許差	d		H	
					max.	min.	max.	min.
M2	0.5	+0.1 ~ -0.1	0.9	+0.1 ~ -0.1	2.4	2.1	1.2	1
M2.5	0.6		1		2.9	2.6	1.4	1.2
M3	0.8		1.3		3.4	3.1	1.9	1.6
M4	0.9		1.5		4.4	4.1	2.1	1.8
M5	1.2		1.8		5.4	5.1	2.8	2.4
M6	1.6	+0.15 ~ -0.15	2.5	+0.15 ~ -0.15	6.5	6.1	3.8	3.2
M8	2		3		8.5	8.1	4.7	4
M10	2.2		3.5		10.7	10.2	5.2	4.4
M12	2.5	+0.2 ~ -0.2	4	+0.2 ~ -0.2	12.7	12.2	5.9	5
M16	3.5		5		17	16.2	8.3	7
M20	4	+0.2 ~ -0.2	6	+0.2 ~ -0.2	21.2	20.2	9.4	8
M24	5		7		25.5	24.5	11.8	10
M30	6		8		31.7	30.5	14.2	12