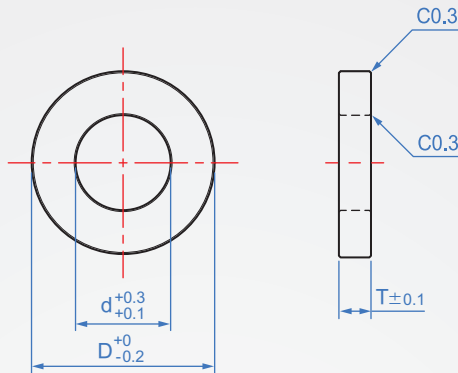


普通墊圈

WA792 公差0.1mm



材質

表面處理

S45C

染黑

無電解鍍

How to order

WA792 - 3 - 8 - T5 -
 TYPE 孔徑 外徑 厚度

選擇材質

S45C+染黑..... **TB**

S45C+無電解鍍..... **TN**

單位: mm

1 基準孔徑指定 d
 2 外徑 D
 3 厚度選擇 T

1 基準孔徑指定 d							2 外徑 D	3 厚度選擇 T			
2	3	4	5	6	8	10		T1	T2	T3	T5
●							4	●	●		
●	●						5	●	●		
●	●	●					6	●	●		
●	●	●	●	●	●		8	●	●	●	●
●	●	●	●	●	●	●	10	●	●	●	●
	●	●	●	●	●	●	12	●	●		●
		●	●	●	●	●	13	●	●	●	●
		●	●	●	●	●	14	●	●	●	●

版權所有 重製必究