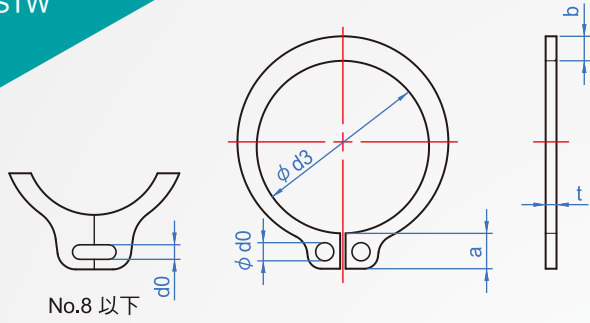
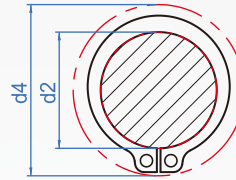


軸用-C形扣環  
**WA703**  
STW

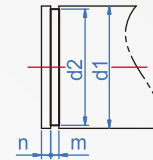
材質	硬度	表面處理
碳鋼	HRC	染黑
SUS420	44~52	—



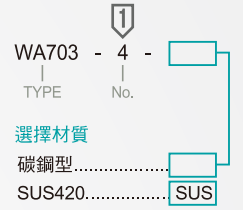
d4：當扣環置入d1時的  
最小徑



適用軸



How to order



單位：mm

No.	d3	公差	t	公差	b	a	d0	適用軸(參考)						
								d1	d2	公差	d4	m	公差	n 最小
3-0.25t	2.7	+0.04 -0.15	0.25	±0.25	0.5	1.7	0.7	3	2.85	+0 -0.04	7	0.35	+0.1 -0	0.3
3-0.30t			0.3											
4	3.7	+0.1 -0.2	0.4	±0.03	0.9	2.2	0.8	4	3.8	+0 -0.04	9	0.5	+0.1 -0	0.5
5			0.6											
6	5.6	±0.15	0.7	±0.04	1.1	2.8	1	6	5.7	+0 -0.06	12	0.8	+0.1 -0	0.5
7			0.8											
8	7.4	±0.18	0.8	±0.04	1.3	3	1	7	6.7	+0 -0.06	14	0.9	+0.1 -0	0.5
9														
10	9.3	±0.15	0.8	±0.04	1.6	3	1.5	8	7.6	+0 -0.09	15	0.91	+0.1 -0	0.5
11														
12	11.1	±0.18	1	±0.04	2	3.1	1.5	9	8.6	+0 -0.09	16	1.15	+0.1 -0	0.5
13														
14	12.9	±0.18	1	±0.04	2.2	3.2	1.7	10	9.6	+0 -0.11	17	1.15	+0.1 -0	0.5
15														
16	14.7	±0.18	1	±0.04	2.2	3.5	1.7	11	10.5	+0 -0.11	18	1.15	+0.1 -0	0.5
17														
18	16.5	±0.18	1	±0.04	2.6	3.8	2	12	11.5	+0 -0.11	19	1.15	+0.1 -0	0.5
19														
20	18.5	±0.2	1.2	±0.05	2.7	3.9	2	13	12.4	+0 -0.11	20	1.35	+0.1 -0	0.5
21														
22	20.5	±0.2	1.2	±0.05	2.7	4	2	14	13.4	+0 -0.11	21	1.35	+0.1 -0	0.5
23														
24	22.2	±0.2	1.2	±0.05	2.9	4.1	2	15	14.3	+0 -0.11	22	1.35	+0.1 -0	0.5
25														
26	24.2	±0.2	1.2	±0.05	3.1	4.2	2	16	15.2	+0 -0.11	23	1.35	+0.1 -0	0.5
27														
28	25.9	±0.2	1.2	±0.05	3.1	4.3	2	17	16.2	+0 -0.11	24	1.35	+0.1 -0	0.5
29														
30	27.9	±0.2	1.2	±0.05	3.1	4.4	2	18	17	+0 -0.11	25	1.35	+0.1 -0	0.5
31														
32	29.6	±0.2	1.2	±0.05	3.1	4.6	2	19	18	+0 -0.11	26	1.35	+0.1 -0	0.5
33														
34	32.2	±0.25	1.5	±0.06	3.5	4.7	2.5	20	19	+0 -0.11	27	1.65	+0.1 -0	0.5
35														
36	35.2	±0.25	1.5	±0.06	3.5	4.8	2.5	21	20	+0 -0.11	28	1.65	+0.1 -0	0.5
37														
38	37.0	±0.4	1.75	±0.06	4	5.4	2.5	22	21	+0 -0.11	29	1.65	+0.1 -0	0.5
39														
40	41.5	±0.4	1.75	±0.06	4.5	5.6	2.5	23	22	+0 -0.11	30	1.65	+0.1 -0	0.5
41														
42	45.8	±0.4	1.75	±0.06	4.5	5.8	2.5	24	22.9	+0 -0.11	31	1.65	+0.1 -0	0.5
43														
44	47.8	±0.4	1.75	±0.06	4.8	6.3	2.5	25	23.9	+0 -0.11	32	1.65	+0.1 -0	0.5
45														
46	50.8	±0.45	2	±0.06	5	6.7	2.5	26	24.9	+0 -0.11	33	1.65	+0.1 -0	0.5
47														
48	55.8	±0.45	2	±0.06	5	6.8	2.5	27	25.9	+0 -0.11	34	1.65	+0.1 -0	0.5
49														
50	60.8	±0.45	2	±0.06	5.5	7.2	2.5	28	26.6	+0 -0.11	35	1.65	+0.1 -0	0.5
51														
52	65.5	±0.45	2.5	±0.06	6.4	7.4	2.5	29	27.6	+0 -0.11	36	1.65	+0.1 -0	0.5
53														
54	70.5	±0.45	2.5	±0.06	6.4	7.8	2.5	30	28.6	+0 -0.11	37	1.65	+0.1 -0	0.5
55														
56	74.5	±0.45	2.5	±0.06	7	7.9	2.5	31	29.6	+0 -0.11	38	1.65	+0.1 -0	0.5
57														
58	79.5	±0.45	2.5	±0.06	7.4	8.2	2.5	32	30.3	+0 -0.11	39	1.65	+0.1 -0	0.5
59														
60	84.5	±0.55	3	±0.07	8	8.4	3	33	31.3	+0 -0.11	40	1.65	+0.1 -0	0.5
61														
62	94.5	±0.55	3	±0.07	8	8.7	3	34	32.3	+0 -0.11	41	1.65	+0.1 -0	0.5
63														
64	94.5	±0.55	3	±0.07	9	9.5	3	35	33.3	+0 -0.11	42	1.65	+0.1 -0	0.5
65														

版權所有 重製必究