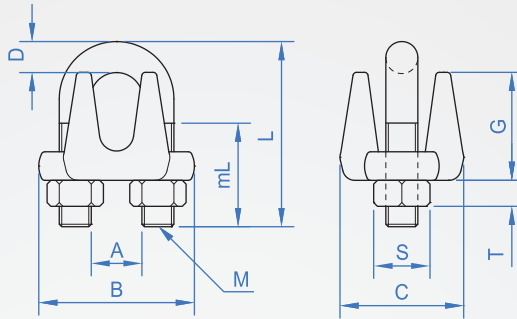
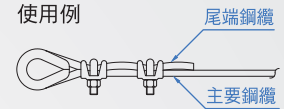


鋼索夾
WA765



材質

SUS304



How to order

WA765 - 22
TYPE No.

單位：mm

No.	A	B	C	D	G	L	mL	M	S	T	質量(g)
2	4	14	14	2.6	10	17	10	M3	5.5	2.5	9
3	5	16	15	2.6	11	21	12				11
4	6	19	18	3.4	13	23	15	M4	7	3.5	19
5	7	22	20	4.3	15	29	16	M5	8	4	28
6	8	28	22	5.2	17	32	20	M6	10	5	41
8	9.5	34	28	7	20	40	22	M8	13	6.5	76
10	11	45	35	8.4	24	50	25	M10	17	8	158
12	14	50	38	10	28	63	36	M12	19	10	234
14	16	53	44	10	31	68	40				277
16	18	60	47	12	34	80	45	M14	22	11	400
20	20	62	53	12	38	85	55				471
22	24	72	62	14	45	99	60	5/8"	24	14	714
25	28	76	62	14	52	108	60				856