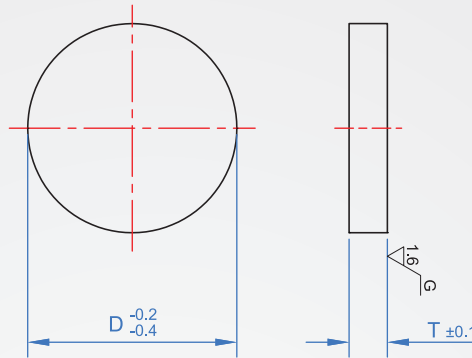


圓盤
WA796



材質

SKS3

硬度

58~62HRC

How to order

WA796 - 5 - 0.5
 TYPE | 外徑 | 厚度

1

2

單位: mm

D 外徑	T 厚度選擇					
	0.5	1	2	3	4	5
5	●	●	●	●	●	●
7	●	●	●	●	●	●
8	●	●	●	●	●	●
9	●	●	●	●	●	●
11	●	●	●	●	●	●
13	●	●	●	●	●	●
16	●	●	●	●	●	●
19		●	●	●	●	●
28		●	●	●	●	●