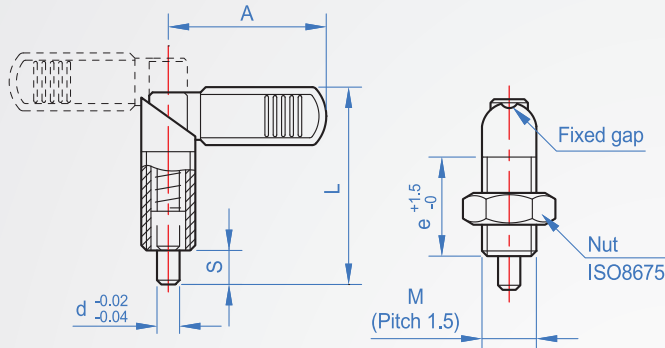


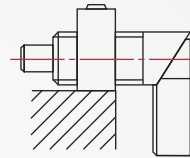
Handle type
IP651



Main part	Pin	Spring	Handle surface
Steel (Black oxide)	Steel (Black oxide)	Piano wire	Nylon 6 (Mat Black)
SUS303	SUS303 (Nickel plating)	SUS304	



- Explanation :
- 1.The handle turning 180 degrees, pin will brake inside and handle stopped at a fixed position gap.
 - 2.Applications pin must rapid stretch and shrink of the case.
 - 3.Can be installed with the seat mounted to the machine table.



How to order

1
 2
 IP651 - M12 - 5 -
TYPE M d
 Choose material
 Steel.....
 Stainless steel.....

M	Pitch Fine teeth	d Pin outer diameter selection					e	L	S	A	Load (N)	
		4	5	6	8	10					min.	max.
M10	1	4	5	6			19	38	6	25	7	20
M12	1.5		5	6	8		26	47	8	32	8	18
M16				6	8	10	30	56	10	42	11	29
M20				8	10	12	36	69	12	52	21	57

kgf=N×0.102