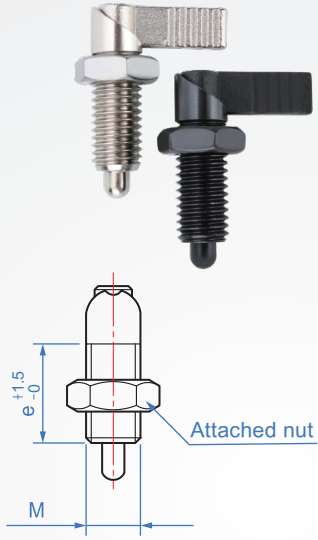
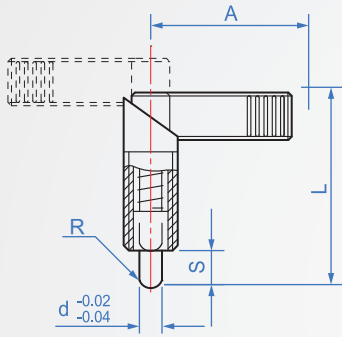
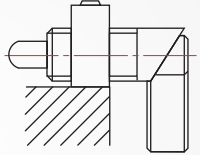


Handle type  
**VC651**  
Coarse  
teeth



\* Same function as IP651  
(Applicable to coarse teeth)

Installation example :



No.	Main part & Pin	Spring
BK	Steel - Black oxide	
NI	Steel - Nickel plating	SUS304
Su	SUS303	

\* Product comes with nut  
\* Use temperature MAX.250 °C

How to order

1  
VC651 - M12 -   
TYPE M

Choose material

Steel - Black oxide.....  BK

Steel - Nickel plating.....  NI

SUS303.....  SU

M	Pitch Coarse teeth	d	e	L	S	A	R	Unit : mm	
								Load (N)	
								min.	max.
M10	1.5	5	21	39	5	21	3	8	20
M12	1.75	6	27	45	6	26	3.5	9	22

kgf=N×0.101972