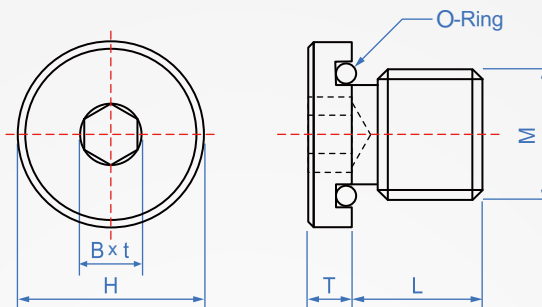


Sealing flat head screws

FM742Hex socket
hole**Main point :**

The main body is equipped with an O-ring.
Do not make grooves in the corresponding keyhole.
Applicable to hydraulic machines, air compressors
and general industrial machinery.



Ontology

O -Ring

SUS304

NBR-70-1

How to order

FM742 - M12
|
TYPE M



單位：mm

M	Pitch Fine thread	L	H	T	B	t (Depth)	O-ring No.	Ref. torque (N · m)	Weight (g)
M 8	1	8	12	4	4	4	P7	8~10	5.2
M10			14		5	5	P8	10~12	7.4
M12	1.5	12	17	5	6	6	P10	15~25	14.2
M14			19			7	P12	20~35	19.6
M16			22			8	P14	25~40	25.4
M18			24		8	8	P16	30~45	33
M20			26			8	P18	35~50	43
M22			27			10	8	P20	40~60
M24	29	P22	45~70						