
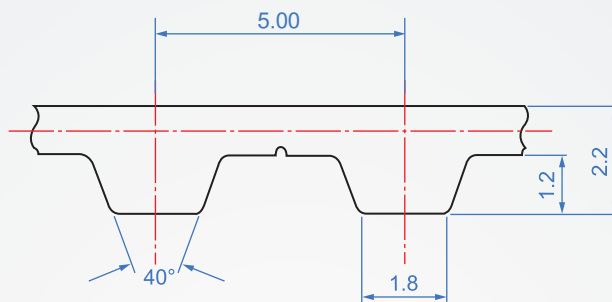


Pitch : 5.0mm

T5

2	Belt width	10	15	20	25	Unit weight (Width:1mm) 2.0 g/m	Belt OPEN free length 	length (m)	
	Ti Initial tension (N)	24.5	39	59	74			Min. 1M (200 teeth)	Max. 100M (20000 teeth)
	Td Pressing load (N)	1.9	2.8	3.9	4.9				



How to order

PU - T5 - 500 - 15
Material TYPE Belt width
circumference

Belt chosen OPEN free length
 Example : Polyurethane
 OPEN-AT5-10-2.4M-PU

Material : PU, steel wire core buried.

1 20~78 teeth	
Belt circumference mm	Number of teeth
100	20
120	24
150	30
165	33
180	36
185	37
200	40
210	42
215	43
220	44
225	45
245	49
250	50
255	51
260	52
270	54
275	55
280	56
295	59
300	60
305	61
330	66
340	68
350	70
355	71
365	73
375	75
390	78

1 80~144 teeth	
Belt circumference mm	Number of teeth
400	80
410	82
420	84
425	85
450	90
455	91
460	92
475	95
480	96
500	100
505	101
510	102
525	105
545	109
550	110
560	112
575	115
590	118
600	120
610	122
620	124
630	126
640	128
650	130
675	135
690	138
700	140
720	144

1 145~391 teeth	
Belt circumference mm	Number of teeth
725	145
750	150
765	153
780	156
800	160
815	163
830	166
840	168
860	172
885	177
900	180
920	184
925	185
940	188
990	198
1075	215
1100	220
1160	232
1200	240
1215	243
1275	255
1280	256
1315	263
1355	271
1380	276
1500	300
1955	391

※Length other than those listed in the table can be customized, use hot melt convergence, which will reduce torque and tension values;
 Only for low-speed operation and transportation purposes.