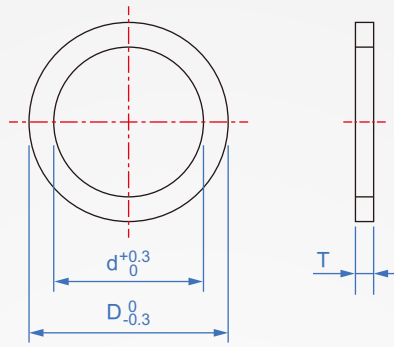


Spacer ring
IC790



Material	Hardness
SUS304H	HV370~

How to order

1 2 3
 IC790 - 3 - 5 - 0.1
 TYPE d D T

1													2													3 unit : mm			
d													D													T			
																										(Reference tolerance)			
3	5	6	8	10									12												0.01 (±0.003)				
4	5	6	8	10	12																				0.02 (±0.003)				
5			8	10	12	14	16																		0.03 (±0.005)				
6			8	10	12	14	16	18																	0.05 (±0.005)				
8					12	14	16	18	20																0.1 (±0.02)				
10						14	16	18	20																0.2 (±0.03)				
12							16	18	20	22															0.3 (±0.035)				
15								18	20	22	24														0.5 (±0.04)				
16									20	22	24	28													1 (±0.05)				
17									20	22	24	28	30																
20											24	28	30	35	40														
25													30	35	40														

Copyright © CHENA INDUSTRIAL CO.,LTD ALL RIGHTS RESERVED.