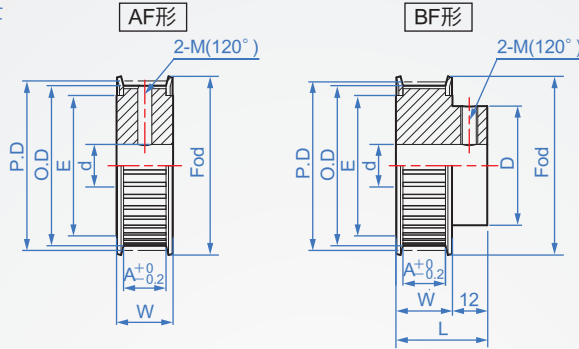
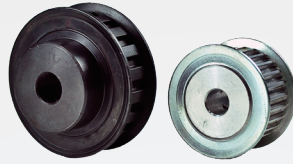
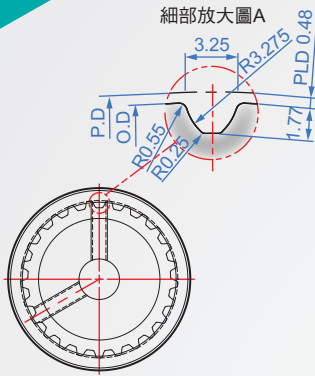


Pitch : 5.0mm

## S5M



| 皮帶寬度 | 10                   | 15                   | 20                   | 25                   |
|------|----------------------|----------------------|----------------------|----------------------|
| 共通尺寸 | A=11<br>W=16<br>L=28 | A=17<br>W=22<br>L=34 | A=22<br>W=27<br>L=39 | A=27<br>W=32<br>L=44 |

材質：鋁A6061+陽極處理。  
(如需鐵材質請電洽加納窗口。)

### How to order

1 22 - 2 S5M-10 - 3 BF - 4 H8 - D22

齒數 TYPE 外形 孔形  
 寬度 軸徑

選擇表面處理

- AS ..... 白色陽極
- AB ..... 黑色陽極
- AN ..... 無電解鍍
- AK ..... 硬化陽極

BF形可指定D變更  
例：原D徑24，變更22..... D22

單位：mm

| 齒數  | TYPE 寬度 | 外形 | 孔形 | 軸孔d<br>加工最小值 | P.D    | O.D   | 齒數  | D    | E    | Eod |
|-----|---------|----|----|--------------|--------|-------|-----|------|------|-----|
| 14  |         |    |    | 6~           | 22.28  | 21.32 | 14  | 14   | 16   | 26  |
| 15  |         |    |    |              | 23.87  | 22.91 | 15  | 15   | 18   | 28  |
| 16  |         |    |    |              | 25.46  | 24.5  | 16  | 17   | 20   | 32  |
| 17  |         |    |    |              | 27.06  | 26.1  | 17  | 16   | 22.5 |     |
| 18  |         |    |    |              | 28.65  | 27.69 | 18  | 19   |      | 24  |
| 19  |         |    |    |              | 30.24  | 29.28 | 19  |      |      |     |
| 20  |         |    |    |              | 31.83  | 30.87 | 20  | 22   | 26   | 36  |
| 21  |         |    |    |              | 33.42  | 32.47 | 21  |      |      |     |
| 22  |         |    |    |              | 35.01  | 34.05 | 22  | 24   | 28   | 40  |
| 23  |         |    |    |              | 36.61  | 35.65 | 23  |      |      |     |
| 24  |         |    |    | 38.2         | 37.24  | 24    | 30  | 30   | 42   |     |
| 25  |         |    |    | 39.79        | 38.83  | 25    |     |      |      | 27  |
| 26  |         |    |    | 41.38        | 40.42  | 26    | 31  | 37   | 49   |     |
| 27  |         |    |    | 42.97        | 42.01  | 27    |     |      |      | 32  |
| 28  |         |    |    | 44.56        | 43.6   | 28    | 33  | 40   | 52   |     |
| 29  |         |    |    | 46.15        | 45.19  | 29    |     |      |      | 33  |
| 30  |         |    |    | 47.75        | 46.79  | 30    | 37  | 44   | 58   |     |
| 31  | S5M-10  |    |    | 49.34        | 48.38  | 31    |     |      |      | 37  |
| 32  |         |    |    | 50.93        | 49.97  | 32    | 40  | 45   | 65   |     |
| 33  | S5M-15  | AF |    | 52.52        | 51.56  | 33    |     |      |      | 40  |
| 34  |         |    |    | 54.11        | 53.15  | 34    | 47  | 52.5 | 67.5 |     |
| 35  | S5M-20  | BF |    | 55.7         | 54.74  | 35    |     |      |      | 48  |
| 36  |         |    |    | 57.3         | 56.34  | 36    | 48  | 58   | 71   |     |
| 37  | S5M-25  |    |    | 58.89        | 57.93  | 37    |     |      |      | 50  |
| 38  |         |    |    | 60.48        | 59.52  | 38    | 50  | 59   | 73   |     |
| 39  |         |    |    | 62.07        | 61.11  | 39    |     |      |      | 55  |
| 40  |         |    |    | 63.66        | 62.7   | 40    | 55  | 60   | 80   |     |
| 41  |         |    |    | 65.25        | 64.29  | 41    |     |      |      | 60  |
| 42  |         |    |    | 66.85        | 65.89  | 42    | 63  | 65   | 85   |     |
| 43  |         |    |    | 68.44        | 67.48  | 43    |     |      |      | 75  |
| 44  |         |    |    | 70.03        | 69.07  | 44    | 80  | 98   | 118  |     |
| 45  |         |    |    | 71.62        | 70.65  | 45    |     |      |      | 90  |
| 46  |         |    |    | 73.21        | 75.25  | 46    | 100 | 120  | 146  |     |
| 47  |         |    |    | 74.8         | 73.84  | 47    |     |      |      | 100 |
| 48  |         |    |    | 76.39        | 75.43  | 48    |     |      |      |     |
| 49  |         |    |    | 77.99        | 77.03  | 49    |     |      |      |     |
| 50  |         |    |    | 79.58        | 78.62  | 50    |     |      |      |     |
| 60  |         |    |    | 95.49        | 94.53  | 60    |     |      |      |     |
| 70  |         |    |    | 111.41       | 110.45 | 70    |     |      |      |     |
| 72  |         |    |    | 114.59       | 113.63 | 72    |     |      |      |     |
| 80  |         |    |    | 127.32       | 126.36 | 80    |     |      |      |     |
| 90  |         |    |    | 143.24       | 142.28 | 90    |     |      |      |     |
| 100 |         |    |    | 159.15       | 158.21 | 100   |     |      |      |     |

