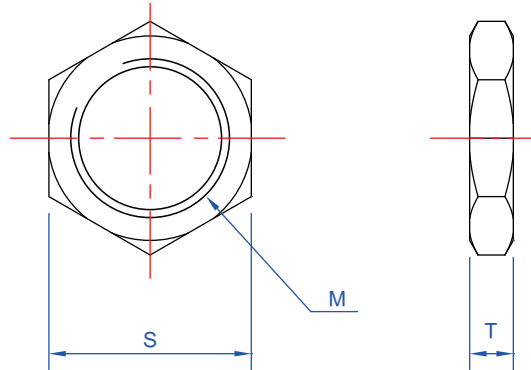


Thin Nut

KJ775

fine teeth



Material

SUS304

How to order

KJ775 - M10 - 1
 TYPE M Pitch

		unit : mm	
M	Pitch	S	T
M8	1	12	4
M10	0.75	14	3
	1	13	
M12	1	17	3.5
	1.5		
M14	1	18	3.5
	1.5		

		unit : mm	
M	Pitch	S	T
M16	1	20	4
	1.5		
M18	1	22	4
	1.5		
M20	1	24	5
	1.5		4
M22	1	25	3.5
	1.5		4

		unit : mm	
M	Pitch	S	T
M24	1.5	28	4
M25		30	3.8
M27			3.8
M30		36	6
M32		38	6
M38		44	5
M40		48	6

Che Na

886-2688-3177

info@chena.com.tw

 886-22688-3188
886-2688-3881~3

 No.21, Guangrong St. Shulin Dist.,
New Taipei City 238 Taiwan (R.O.C.)