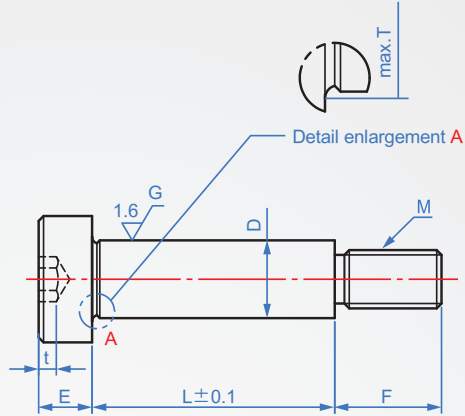
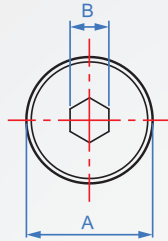


Contour screw

SU720

SUS



material

SUS304

Intensity distinction

A2

How to order

$\text{SU720} - \overset{\textcircled{1}}{6} - \overset{\textcircled{2}}{60}$
 TYPE D L

①

D

6	5		8	10	12		16	20	25	30	35	40	45	50	55	60	65	70												
6.5			8	10	12		16	20	25	30																				
8	5	6	8	10	12		16	20	25	30	35	40	45	50	55	60	65	70	75	80										
10			8	10	12	14	16	20	25	30	35	40	45	50	55	60	65	70	75	80	85	90								
12			8	10	12	14	16	20	25	30	35	40	45	50	55	60	65	70		80		90	100	110	120					

②

L

Unit : mm

D

Tolerance

A

B

t

E

F

T

M

Pitch

6	-0.01 -0.05	10	3	2.4	4.5	10	6.5	M5	0.8
6.5		13	4	3.3	5.5	11	7.0	M6	1.0
8		16	5	4.2	7.0	13	10.8	M8	1.25
10		18	6	4.9	9.0	16	12.8	M10	1.5

12

(FAX) 886-2688-3177

(envelope) info@chena.com.tw

(phone) 886-22688-3188
886-2688-3881~3

(location) No.21, Guangrong St. Shulin Dist.,
New Taipei City 238 Taiwan (R.O.C.)