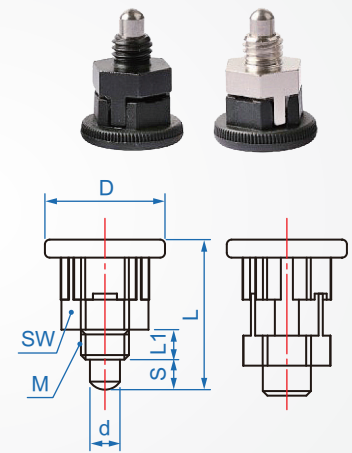
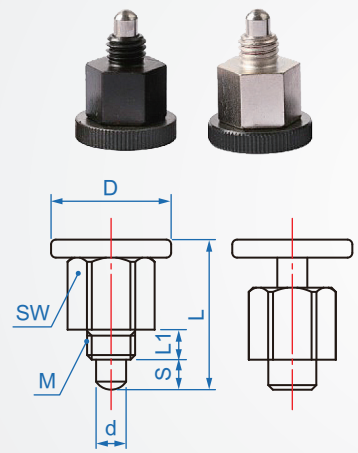


Simple type
ZH647

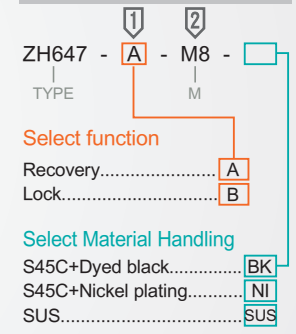
Ontology	Surface treatment	d Pin	Spring	D Knob
S45C	Dyed black	SUS303	SUS304	Nylon PA66
	Nickel plating			
SUS	-			SUS

A : Recovery

B : Lock



How to order



No.	M	Pitch Coarse teeth	d ⁰ _{-0.02}	D	D1	S	L	L1	SW	R	Load(N)	
											min.	max.
A (Reply-type)	M8	1.25	5	20	14.5	5	25	5	13	3	2.5	6
B (Card lock type)	M10	1.5	6	24	19	6	31	7	17	3.5	4.5	9.5

unit:mm