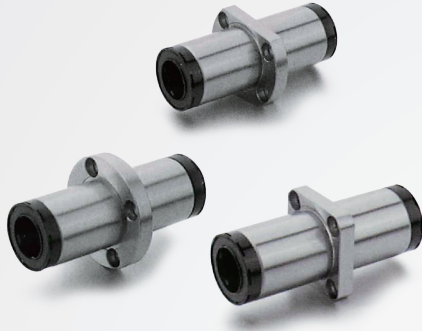


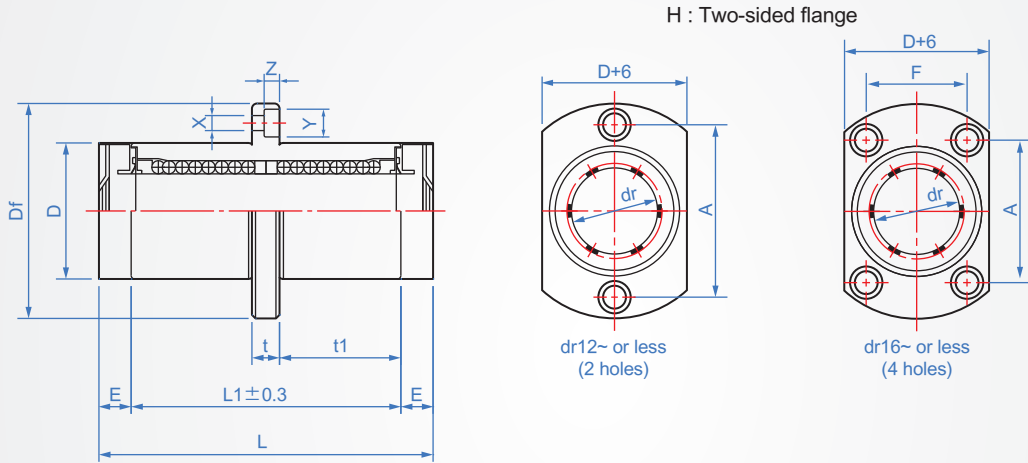
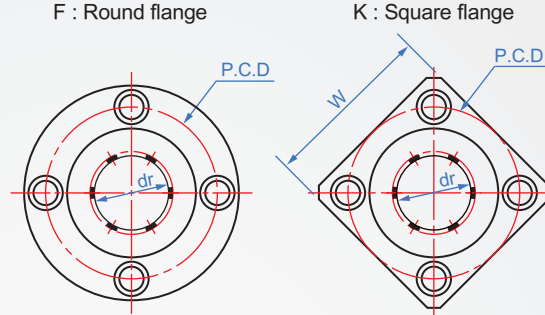
Central flange type

## MX239



Outer tube	Steel ball	Holder	Ambient temperature	Annex
SUJ2 HRC58~	SUJ2	Resin	-20~80°C	Two side dust cover

characteristic : With lubricating resin, it has auxiliary maintenance function during exercise.



How to order

MX239 - 10 -

TYPE dr

Choose shape

Round flange.....  F

Square flange.....  K

Two-sided flange...  H

dr	tolerance	Main dimensions							Flange							Eccentric max.	Straight angle	Basic load rating			weight(g)		
		D	tolerance	L	L1	E	A	Df	F	P.C.D	t	t1	W	X	Y			Z	Move	C	Still	Co	Round
10		19		65	55	5	29	40		29		24.5	30						580	1100	100	80	90
12	+0 -0.01	21	+0 -0.016	68	57	5.5	32	42		32	6	25.5	32	4.5	7.5	4.1	0.015	0.015	810	1500	110	90	100
16		28		82	70	6	31	48	22	38		32	37					1200	2300	190	170	180	
20		32		94	80	7	36	54	24	43		36	42	5.5	9	5.1		1400	2700	270	230	250	
25	+0 -0.012	40	+0 -0.019	130	112	9	40	62	32	51	8	52	50				0.02	0.02	1500	3100	550	510	530
30		45		143	123	10	49	74	35	60		56.5	58	6.6	11	6.1		2400	5400	700	610	660	
35		52		157	135	11	55	82	38	67	10	62.5	64					2600	6200	1040	950	970	
40	+0 -0.015	60	+0 -0.022	175	151	12	64	96	45	78		69	75				0.025	0.025	3400	8000	1600	1400	1450
50		80		220	192	14	80	116	56	98	13	89.5	92	9	14	8.1		6000	15800	3650	3400	3500	

G6 tolerance guide is recommended.

1N≒0.12kgf

Copyright © CHENA INDUSTRIAL CO.,LTD ALL Rights Reserved.