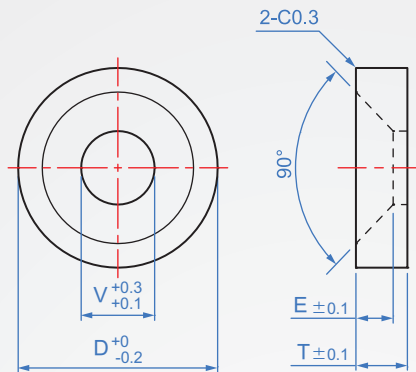
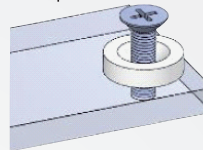


Flat washer

# WA795



Example



Material	Finish
S45C	Dye black
	Electroless nickel
SUS304	-

### How to order



#### Material chosen

S45C/Black oxide.....	<b>TB</b>
S45C+Electroless nickel.....	<b>TN</b>
SUS304.....	<b>S304</b>

M	D	T							E	V
		2.5	3	3.5	4	5	6	8		
M4	14	●			●	●			2.5	4.5
M5	16		●		●	●			3	5.5
M6	20			●	●	●			3.5	6.6
M8	25					●	●		5	9
M10	30						●	●	6	11

Unit : mm