

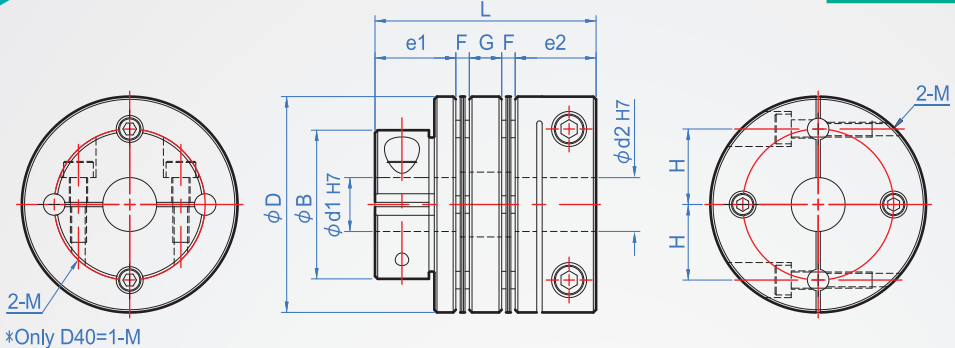
Flange coupling

CH413

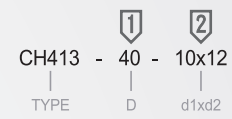
Long type



Main part	Disk · Pin	Hex socket head cap screws
	A6061 (Clear anodizing)	SUS



How to order



Unit : mm																
D	d1 - d2 min. max.	B	L	e1	e2	M	F	H	Quality	Torque (g)	Max. torque (N · m)	Moment of inertia (kg · m ²)	Allowable eccentric (mm)	Allowable axial displacement (mm)	Highest number of rotations (rpm/min)	Allowable declination (°)
40	8 ~ 16	28	48	15	15	M4	4.5	13.5	121	6	12	20.5 × 10 ⁻⁶	0.02	±0.6	10000	1.5
45	8 ~ 18	33						16	130	9	18	35.1 × 10 ⁻⁶				
50	10 ~ 20	40	63	20	20	M5	6	18	250	17	34	73.3 × 10 ⁻⁶	0.25	±0.8	10000	1.5
57	12 ~ 25	42						21	270	25	50	112.3 × 10 ⁻⁶				
65	12 ~ 28	50	76	24	24	M6	7	23	550	55	110	286.1 × 10 ⁻⁶	0.3	±0.9	10000	1.5