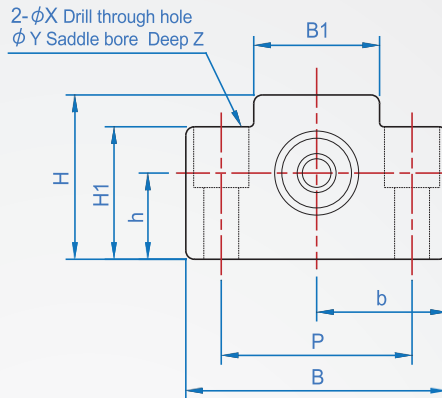
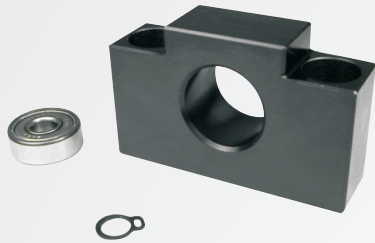
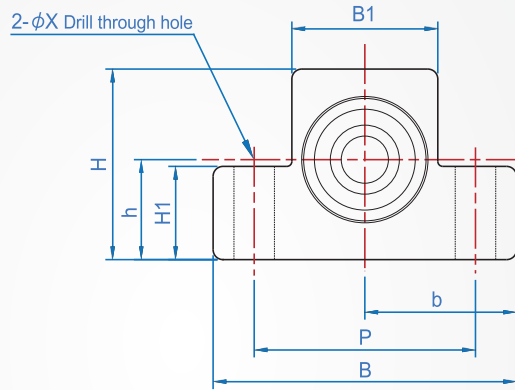
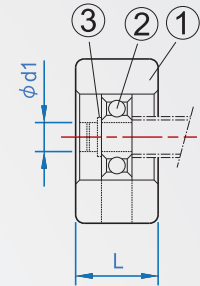


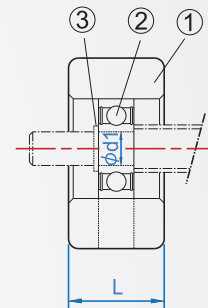
Support side  
**EF**



● EF6~8



● EF10~20



■ Constitute parts

Number	Parts name	Quantity
①	Bearing chock	1
②	Bearing	1
③	C Type Retaining Ring	1

Material	Finish
S45C	Black oxide

How to order

EF - 6 -

TYPE No.

Choose a bearing

Deep groove ZZ made in Japan...  ZJ

Deep groove ZZ made in Taiwan...  ZT



Unit : mm

No.	d1	L	B	H	b ±0.02	h ±0.02	B1	H1	P	X	Y	Z	Bearing	C Type Retaining Ring
6	6	12	42	25	21	13	18	20	30	5.5	9.5	11	606ZZ	S6
8	6	14	52	32	26	17	25	26	38	6.6	11	12	606ZZ	S6
10	8	20	70	43	35	25	36	24	52	9	—	—	608ZZ	S8
12	10	20	70	43	35	25	36	24	52	9	—	—	6000ZZ	S10
15	15	20	80	49	40	30	41	25	60	9	—	—	6002ZZ	S15
20	20	26	95	58	47.5	30	56	25	75	11	—	—	6204ZZ	S20

Corresponding screw & bearing please refer to 2-19 page.