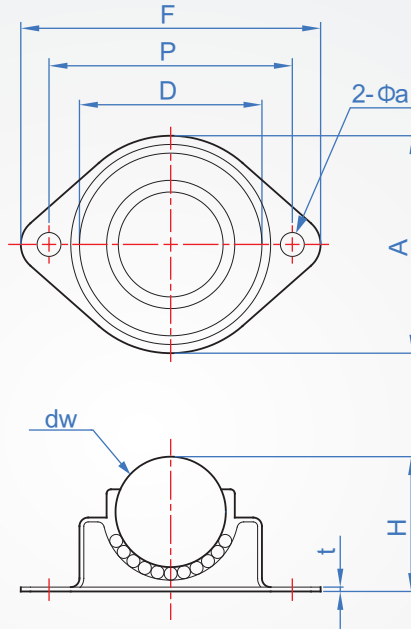


Iron shell rhombus type
BR804



Main part Material	Main ball / Auxiliary ball
Steel (Galvanized)	SUJ2 HRC58~

How to order

BR804 - 40
| TYPE | P

									unit:mm	
P	D	dw	F	A	H	a	t	Load (N)	Weight (g)	
40	27	5/8"	50	35	21	5	1	100	120	
55	42	1"	71	52	30	5	1.1	300	140	

kgf=N×0.101972