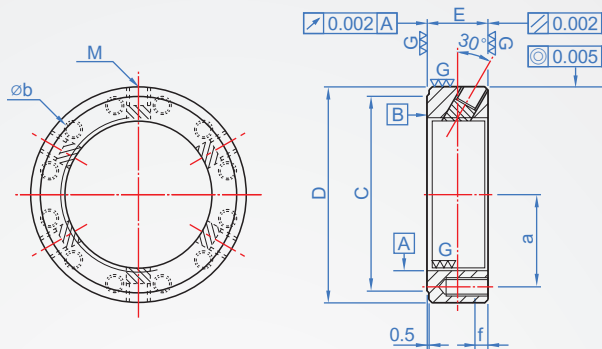


Precision Lock Nuts

SBL-B

Superfine Balanced Locknuts



How to order

SBL-B - M20 - 1.5

 TYPE M Pitch

單位 : mm

Tread	Pitch	D	C	E	a	ϕb	f	M	max. Nm	Loosening torque Nm
M20	1	38	33	16	13	6 - M4	10	3-M5x0.8	4.5	28.9
M20	1.5							3-M5x0.8		
M25	1.5	45	40	18	16	9 - M5	12	3-M6x1.0	8	30.4
M30	1.5							3-M6x1.0		
M35	1.5	52	47	20	22	9 - M6	14	3-M8x1.25	18	39.2
M40	1.5							3-M8x1.25		
M45	1.5	65	59	22	33	12 - M6	16	6-M8x1.25	18	61.8
M50	1.5									
M55	2	75	68	24	35	12 - M6	18	6-M8x1.25	18	70.6
M60	2									
M65	2	85	78	26	38	12 - M6	20	6-M8x1.25	18	88.2
M70	2									
M75	2	92	84	28	41	12 - M8	22	6-M8x1.25	18	147.1
M80	2									
M85	2	98	90	30	43	12 - M8	24	6-M10x1.5	35	152
M90	2									
M95	2	105	96	32	46	12 - M8	26	6-M10x1.5	35	156.9
M85	2									
M95	2	110	102	32	49	12 - M8	26	6-M10x1.5	35	176.5
M100	2									
M105	2	120	108	32	53	12 - M8	26	6-M10x1.5	35	186.3
M95	2									
M110	2	125	113	32	55	12 - M8	26	6-M10x1.5	35	201
M105	2									
M115	2	130	118	32	58	12 - M8	26	6-M10x1.5	35	220.6
M110	2									
M120	2	140	125	32	61	12 - M8	26	6-M10x1.5	35	236.3
M115	2									
M125	2	145	132	32	64	12 - M8	26	6-M10x1.5	35	252
M120	2									
M130	2	150	137	32	66	12 - M8	26	6-M10x1.5	35	268.1
M125	2									
M135	2	155	142	32	69	12 - M8	26	6-M10x1.5	35	279.4
M130	2									
M140	2	160	147	32	71	12 - M8	26	6-M10x1.5	35	289.2
M135	2									
M145	2	165	152	32	74	12 - M8	26	6-M10x1.5	35	313.7
M140	2									
M150	2	175	160	32	78	12 - M8	26	6-M10x1.5	35	352.9
M145	2									
M150	2	180	165	32	80	12 - M8	26	6-M10x1.5	35	392.2
M145	2									
M150	2	190	175	32	84	12 - M8	26	6-M10x1.5	35	436.3
M145	2									
M150	2	195	180	32	86	12 - M8	26	6-M10x1.5	35	480.4
M145	2									

※The design differs from the SBL-A in that there are balance adjustment screws added at the trailing surface, making for added convenience in precision adjustment. Balance adjustment screw holes can be fitted with screw-in plugs (option), eliminating high frequency noise and subsequent vibration.

※The data is not as good as it is available. Please contact CHENA for the remaining dimensions.