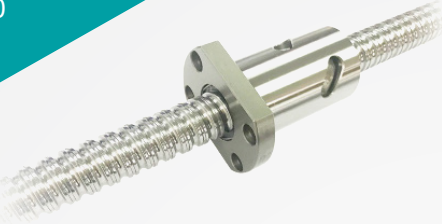


Shaft diameter 14~80

series

Internal Circulation



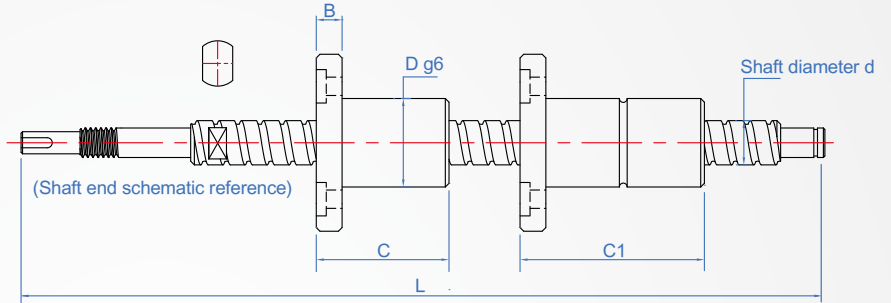
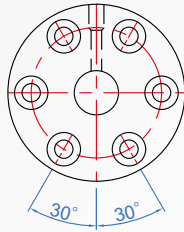
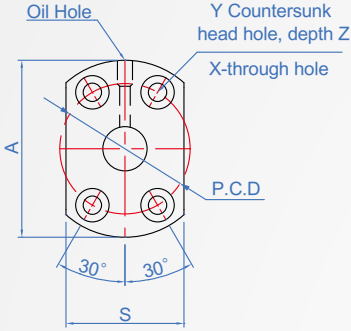
Precision	screw	Shaft hardness		Nuts	
		Material	Hardness	Material	Hardness
C7	Transformation grade	S55C	Tempered Fire (HRC60)	SCM415H	Tempering (HRC60)
C5	Grinding grade				

Shaft diameter 14~50 (4 locking holes)

Shaft diameter 63~80 (6 locking holes)

Standard Nut

Extended nut



Lead accuracy (JIS B 1192) Unit : mm

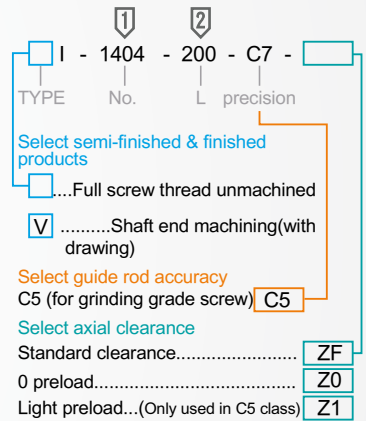
Accuracy level	C7	C10
Cumulative lead time error	±0.05/300	±0.21/300

Tolerance of the accumulated lead error (±Ec) and variation (e) of the base lead for an arbitrary 300mm effective thread

Axial standard clearance Unit : mm

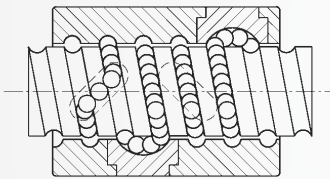
Shaft diameter	Axial clearance(max)
14~28	0.10
30~32	0.14
36~45	0.17
50~80	0.20

How to order



Inner loop features/construction

The outer diameter of the nut is lighter, suitable for machines with small internal space



1

2

Unit : mm

Nuts No.		d	Guide	L	A	B	C	C1	D	S	P.C.D	X	Y	Z	Ball Diameter	Oil Hole	Basic load (kgf)	
Standard	Extended Type	Guide	Guide	Designation 1mm			Standard	Extended Type									Ca(Move) kN	Ca(Quiet) kN
1404	—	14	4	120 ~ 1000	46		47	—	26		36				2.381		875	1056
1405	—		5				45	—									3.175	1013
1604	—	16	4	160 ~ 1200	49	10	42	80	30	34	39	4.5	8	4.5	2.381	M6	944	1254
1605-A	DR1605		5				50	—									3.175	1049
1605-B	—	10	10		58		65	—	34	36	45	5.5	9.5	5.5			1344	1525
1610-A	—		55				—	34									36	45
1610-B	—	20	5	200 ~ 1500	57	12	53	92	34	40	45				3.175	M6	1512	1995
2005	DR2005		4				46	—									2.381	1178
2504	—	25	5	250 ~ 1500	63	11	53	92	40	46	51	5.5	9.5	5.5	3.175	M8	1704	2581
2505	DR2505		10				85	156									4.762	2881
2510	DR2510	32	5	300 ~ 2000	72	12	53	92	46	52	58	6.5	11	6.5	3.175	M6	1924	3403
3205	DR3205		6				63	—									3.969	2598
3206	—	10	10		88	16	90	160	54	62	70	9	14	8.5	6.35		4834	7835
3210	DR3210		18				93	162									62	70
4005	DR4005	40	5	400 ~ 2000	90	16	56	96	56	64	72	9	14	8.5	3.175		2142	4342
4010	DR4010		104				18	93									62	70
5010	DR5010	50	10		114	22	100	182	85						6.35	M8	5933	12313
6310	DR6310		131				23	130									107	14
6320	DR6320	63	20	500 ~ 3000	153	23	130	253	95						9.525		8957	17945
8010	DR8010		10				92	182									127	14
8020	DR8020	80	20		173	23	130	253	115						9.525		10168	23611
			143				18	26									17,5	9.525