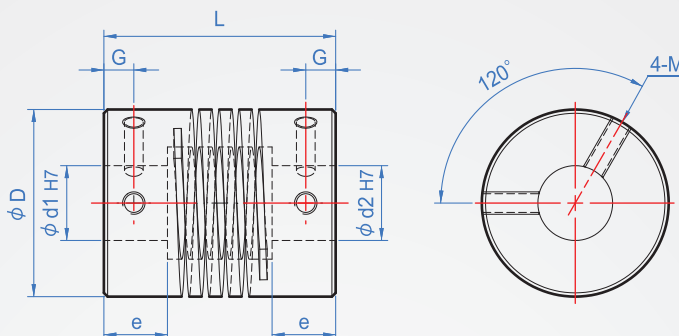


High rigid helix crevice coupling

## CH405

Set screw



Main part

Set screw

A6061  
(Clear anodizing)

SCM435  
(Black oxide)

How to order

CH405 - 16 - 5x6  
TYPE      D      d1xd2

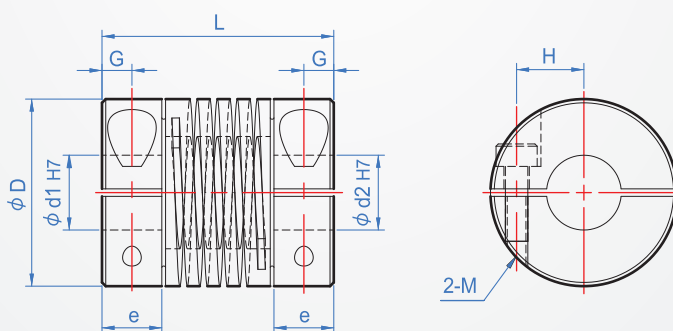
Unit : mm

D	d1 - d2 min.    max.	L	e	M	G	Torque (N · m)	Max. torque (N · m)	Highest number of rotations (rpm/min)	Moment of inertia (kg · m <sup>2</sup> )	Allowable axial displacement	Allowable declination	Quality (g)
16	4 ~ 8	23	7.6	M3	3.5	0.5	1.0	25000	±0.25	0.25	5°	10
16S	4 ~ 8	16	4.3		2.5							8
19	5 ~ 8	23	7		3	1.0	2.0					13
19S	5 ~ 8	19	5			1.1	2.2					11
20	6 ~ 10	26	8.6	M4	4	1.6	3.2	±0.25	0.25	5°	15	
25	6 ~ 12	31	10.6								1.6	3.2
25S	6 ~ 12	25	7.5		4	1.6	3.2				29	

High rigid helix crevice coupling

## CH406

Clamp



Main part

Hex socket  
head cap screws

A6061  
(Clear anodizing)

SCM435  
(Black oxide)

How to order

CH406 - 16 - 4x6  
TYPE      D      d1xd2

Unit : mm

D	d1 - d2 min.    max.	L	H	e	M	G	Torque (N · m)	Max. torque (N · m)	Highest number of rotations (rpm/min)	Moment of inertia (kg · m <sup>2</sup> )	Allowable axial displacement	Allowable declination	Quality (g)	
16	4 ~ 6.35	23	5	6.2	M2.5	3.1	0.5	1.0	25000	±0.25	0.25	5°	10	
19	4 ~ 8		6	6.0		3							13	
20	6 ~ 8	26	6.5	7.5	M3	3.7	1.0	2.0					3.2	19
25	6 ~ 12	31	9	8		4								1.6