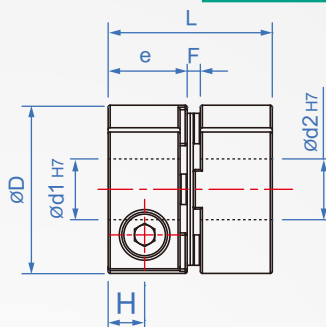
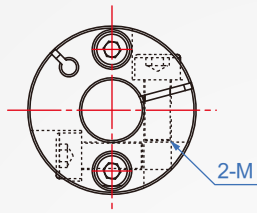


Steel sheet - short and small

GZ412

Clamping



Ontology	Disc.Pin	Hexagon socket head cap screws
High strength aluminum alloy (White anode)	stainless steel	SCM435 (Dye black)

How to order

GZ412 - 28 - 5-10
TYPE D d1xd2

D	Inner hole designation		L	e	F	M	H	Max. torque (N · m)	Allow eccentricity (mm)	Allowable declination (°)	Allowable axial displacement (mm)	Max. revolutions (rpm/min)	Static torsion spring coefficient (N·m/rad)	Moment of inertia (kg · m ²)	weight g	
	d1-d2 min.	d1-d2 max.														
16.6	3	~ 6	16.6	7.5	2.2	M2.5	3.3	0.5	0.1	1	± 0.09	9000	950	3.16x10 ⁻⁷	8	
21	3	~ 10	16.7	7.2	2.7			1.0			± 0.14		1600	7.9x10 ⁻⁷	12	
28	5	~ 14	21.5	9.5	3.5	M3	3.85	1.5			± 0.18		5500	3.24x10 ⁻⁶	32	
34	5	~ 16	23.3	10.2	3.7	M4	4.85	3	0.1	1.5	± 0.23	8000	7500	7.6x10 ⁻⁶	50	
39	8	~ 19	34.5	14.9	4.5			5					6	± 0.27	8000	3.2x10 ⁻⁵
46	8	~ 25	29.8	13.2	4.6	M5	6	9					± 0.27	18000	3.23x10 ⁻⁵	102
55	10	~ 30	37.2	16.5	5.2			6					25	± 0.30	30000	8.19x10 ⁻⁵

unit : mm