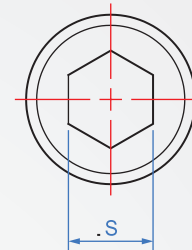
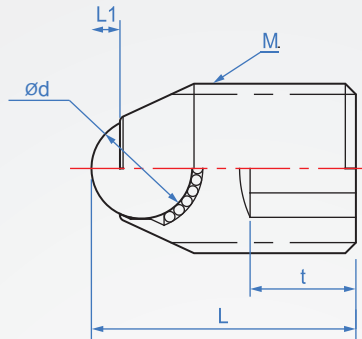
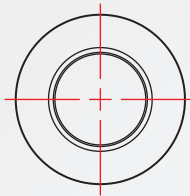


Set ball roller-PEEK ball

**BR842**

Main part

Main ball

Auxiliary ball

SUSXM-7

PEEK

SUS440C  
HRC55~

How to order

BR842 - M10
   
 |            |
   
 TYPE        M

1

Unit : mm

M Coarse thread	L	L1	d	S	t	Load resistance N
M8	14	1.3	4.76	4	5	1
M10	16	1.8	6.35	5	6	8
M12	20	2.3	7.94	6	8	15
M16	25	2.7	9.53	8	10	25

kgf=N×0.101972