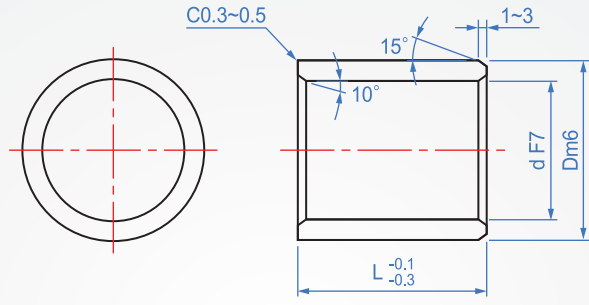


Straight type  
**BC251**  
Copper alloy



<b>Material</b>	Heat resistant temperature
Copper alloy	-50~200°C

**How to order**

1
2
3

BC251 - 8 - 12 - 8

TYPE    d    D    L

unit : mm															
1		2		3								Corresponding aperture			
d	F7 tol.	D	m6 tol.	L								H7 tol.			
5	+0.022	9	+0.015	8	10	12	15						9	+0.015	
6	+0.010	10	+0.006	8	10	12	15	20	25				10	0	
8	+0.028	12	+0.018 +0.007	8	10	12	15	20	25	30			12	+0.018 0	
10	+0.013	14		8	10	12	15	20	25	30			14		
12	+0.034 +0.016	18	+0.021 +0.008		10	12	15	20	25	30			18	+0.021 0	
13		19				15	20	25	30			19			
15		21		10	12	15	20	25	30	40	50		21		
16		22		10	12	15	20	25	30			22	0		
20	+0.041 +0.020	28	+0.025 +0.009				15	20	25	30	40	50	60	28	+0.025 0
25		33				15	20	25	30	40	50	60	33		
30		38					20	25	30	40	50	60	38		

Copyright © CHENA INDUSTRIAL CO., LTD ALL RIGHTS RESERVED.