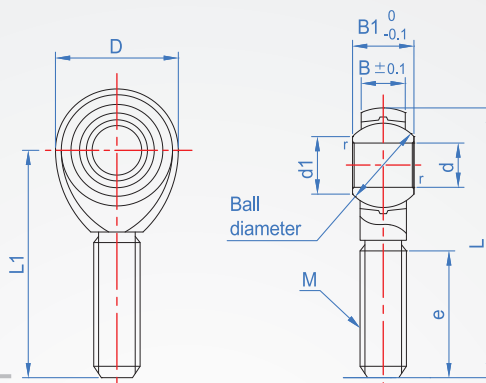


Knuckle bearing RN542 Threaded bolt



Main part	Bushing	Spherical inner ring
S35C	Copper alloy	SUJ2
Trivalent chromium	Teflon	Hard chrome plating
SUS304C	PTFE	SUS440C
		HRC58~

Clearance	Trivalent chromium	Hard chrome plating	
Radial clearance	0.035 and below	0.035 and below	
Axial clearance	0.1 and below	0.05 and below	Unit : mm

How to order

↓

RN542 - 5 - [] - []

TYPE d

Select the thread direction

Right thread..... R

Left thread..... L

Select material

S35C+Copper alloy..... CU

S35C+Teflon..... CF

SUS304C+Teflon..... SUS

d H7	M x Pitch	External dimensions			Clamper dimensions			Spherical inner ring dimensions			Static load Cs (N)	Weight (g)	Allowable tilt angle		
		L	D	B1	B	L1	e	Ball diameter mm	d1	r			α 1	α 2	α 3
5	M5 x 0.8	41	16	8	6	33	20	11.112	7.7	0.3	3430	12.5	8°	13°	30°
6	M6 x 1.0	45	18	9	6.75	36	22	12.7	9		4900	19			
8	M8 x 1.25	53	22	12	9	42	25	15.875	10.4	0.5	6860	32	14°	25°	
A8	M8 x 1.0														
10	M10 x 1.5	61	26	14	10.5	48	29	19.05	12.9	0.7	10800	54	10°	16°	24°
A10	M10 x 1.25														
12	M12 x 1.75	69	30	16	12	54	33	22.225	15.4	0.7	16700	85	9°	15°	23°
A12	M12 x 1.25														
14	M14 x 2.0	77	34	19	13.5	60	36	25.4	16.9	0.7	20600	126	10°	16°	24°
A14	M14 x 1.5														
16	M16 x 2.0	85	38	21	15	66	40	28.575	19.4	0.7	25000	185	9°	15°	23°
A16	M16 x 1.5														
18	M18 x 1.5	93	42	23	16.5	72	44	31.75	21.9	0.7	29400	260	10°	15°	23°
20	M20 x 1.5														
22	M22 x 1.5	109	50	28	20	84	51	38.1	25.84	0.7	41200	430	10°	15°	23°

※lubricating

Sealed lubricant before using. The holder have lubrication hole and sump, when necessary you can add oil through the nipple.

※Allowable tilt angle

