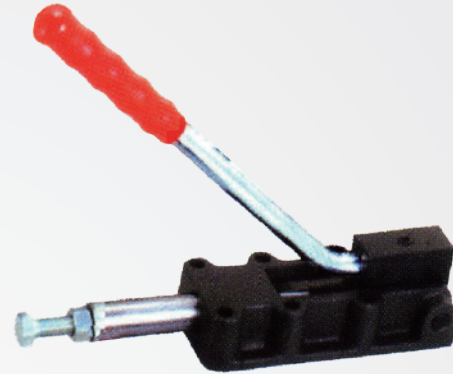
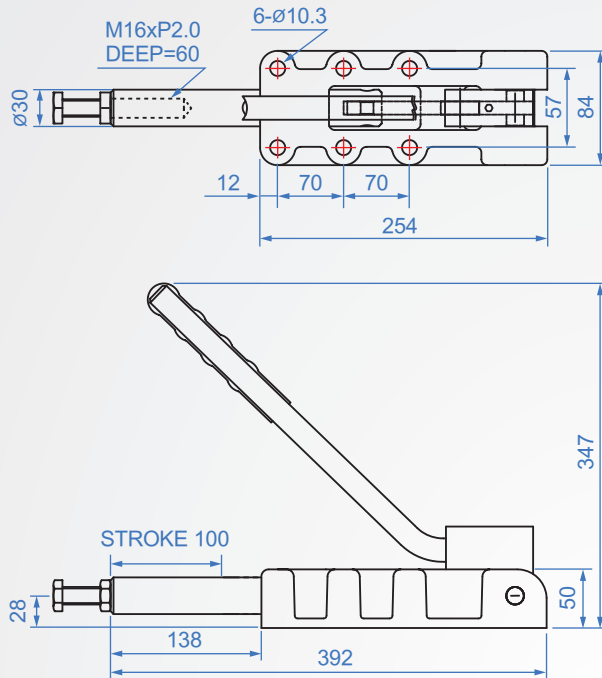


## GH35000-HL



### GH35000-HL

Material : SS400 Finish : Zinc plated

Unit : mm

Code No.	Clamping force(kg)	weight (g)	Hadle moving	Chuck moving	Front-end accessories
GH35000-HL	5000	7970	185°	100	NSA-167520

1N=0.102kgf