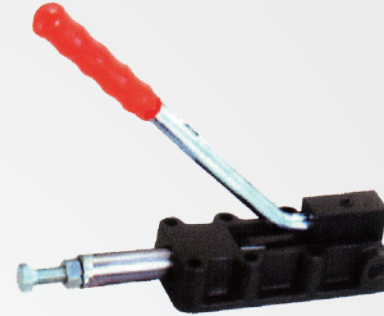
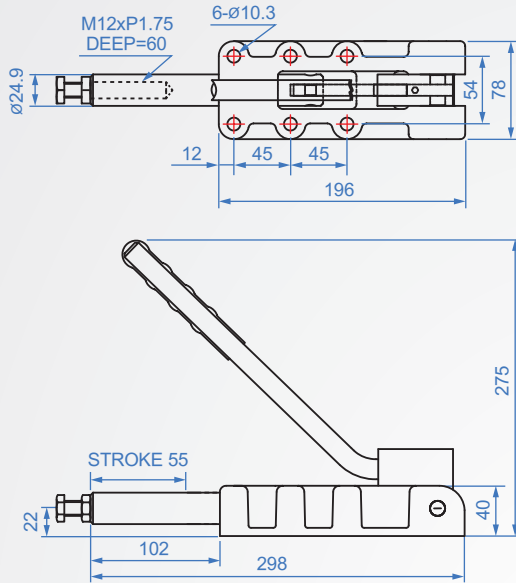


GH32500-HL



GH32500-HL

Material : SS400 Finish : Zinc plated

Unit : mm

| Code No. | Clamping force(kg) | weight (g) | Hadle moving | Chuck moving | Front-end accessories |
|------------|--------------------|------------|--------------|--------------|-----------------------|
| GH32500-HL | 2500 | 4268 | 185° | 75 | NSA-127517 |