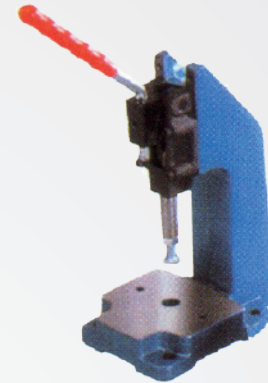
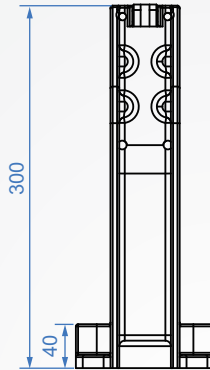
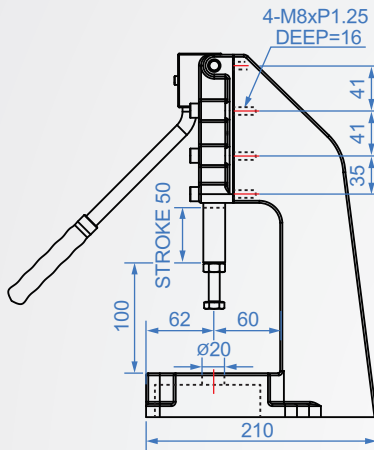
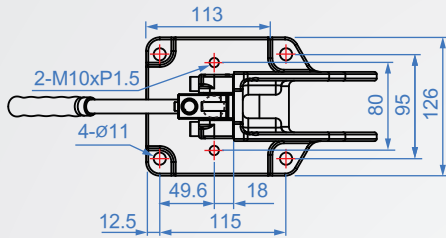


## GH31200-PR



### GH31200-PR

Material : SS400 Finish : Zinc plated

Unit : mm

Code No.	Clamping force(kg)	weight (g)	Hadle moving	Chuck moving	Front-end accessories
GH31200-PR	1200	8550	185°	50	NSA-107515

1N=0.102kgf