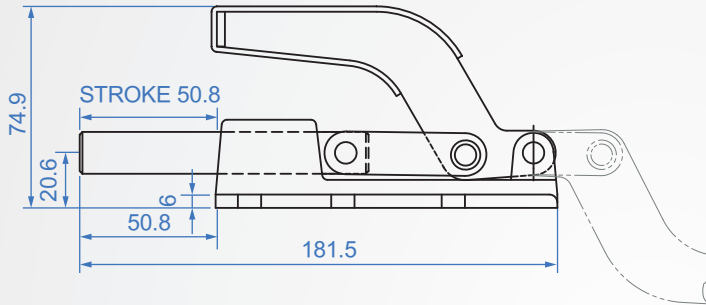
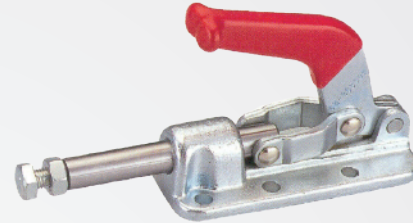
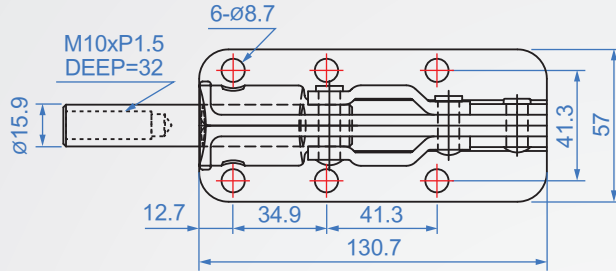


GH36330-M



GH36330-M

Material : SS400 Finish : Zinc plated

Unit : mm

Code No.	Clamping force(kg)	weight (g)	Hadle moving	Chuck moving	Front-end accessories
GH36330-M	1136	966	180°	50.8	NSA-105015