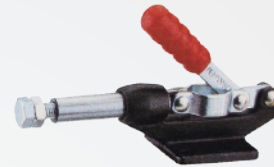
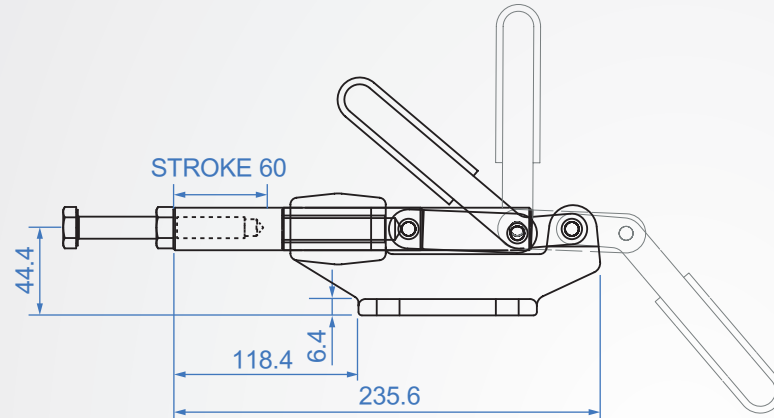
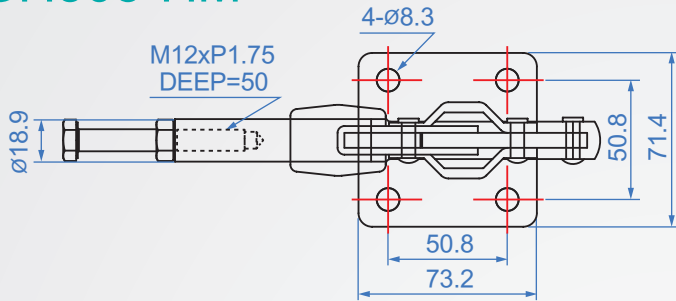


GH304-HM GH305-HM



304-HM



305-HM

GH304-HM

Material : SS400 Finish : Zinc plated

Unit : mm

Code No.	Clamping force(kg)	weight (g)	Q	Hadle moving	Chuck moving	Front-end accessories
GH304-HM	680	1429	142	183°	60	NSA-125017
GH305-HM	680	1429	174	183°	60	NSA-125017