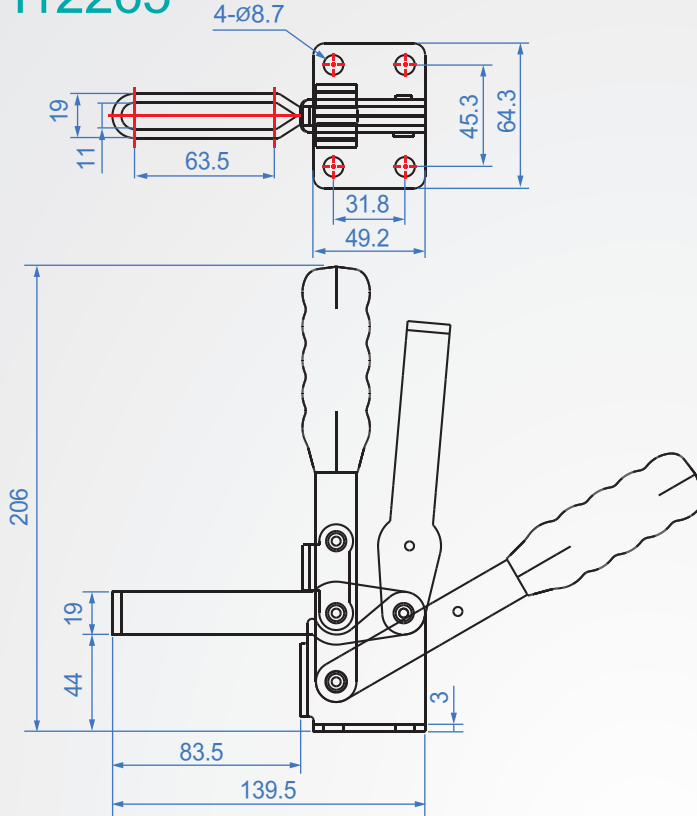


GH12265



GH12265

Material : SS400 Finish : Chrome plated

GH12265-SS

Material : SUS304

unit : mm

Code No.	Clamping pressure (kg)	weight (g)	Handle movement	Chuck movement	Front end fitting
GH12265	340	635	61°	112°	NFC-38312(Rubber)
GH12265-SS	340	635	61°	112°	—

1N=0.102kgf

Che Na

FAX 886-2688-3177

info@chena.com.tw

886-22688-3188
886-2688-3881~3

No.21, Guangrong St. Shulin Dist.,
New Taipei City 238 Taiwan (R.O.C.)