




Hex nut - fine teeth

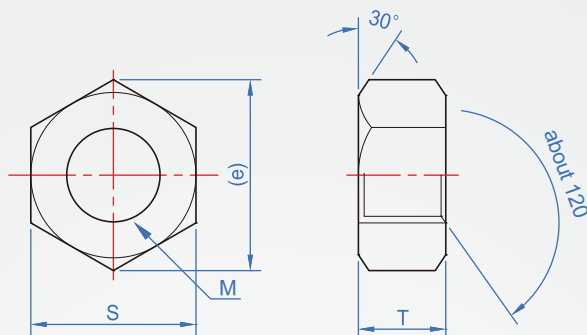
**WA775**

Material

SUS304


How to order 


  
 WA775 - M5-0.5 - 4  
 |            |            |  
 TYPE      M-Pitch      T




1		2							unit : mm		
M-Pitch		Thickness T							S	(e)	
M	Pitch	2	3	4	5	6	8	10	11	13	
M 5	0.5									8	9
M 6	0.75		3.2		5					10	11.5
M 8	0.75 / 1.0			4	6.5					13	15
M10	1.0 / 1.25				5	8				17	19
M12	1.5				6		10			19	21.9
M14						7		11		22	25.4
M16						8			13	24	27.7

Che Na

 886-2688-3177

 info@chena.com.tw

 886-22688-3188  
886-2688-3881~3

 No.21, Guangrong St. Shulin Dist.,  
New Taipei City 238 Taiwan (R.O.C.)