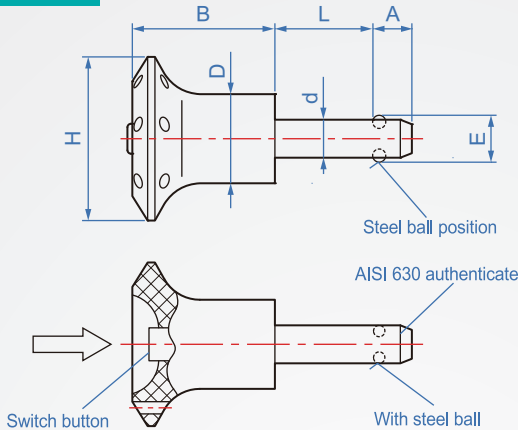


With flange

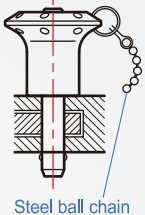
## BY616 Round head type

Ball	Pin	Knob	
		Material	Operating temperature
SUS420C 55HRC	SUS303	Engineering plastics Red/Black	-30°C ~ 80°C

Spring : SUS Piano wire



After pressing the button steel ball will sink into the lock pin.



### How to order

BY616 - 5 - 30  
 |     |     |  
 TYPE d    L

1											2											unit:mm	
d <sup>-0.04</sup> <sup>-0.08</sup>	E						L <sup>+0.6</sup> <sup>-0</sup>					H	D	A (±0.2)	B (-0.2)	Corresponding hole size		Shear resistance (KN)min.					
5	5.5	10	15	20	25	30								30	16	6	26	5	+0.06	24			
6	7	10	15	20	25	30	35	40	45	50						7.1		6	-0	35			
8	9.5			20	25	30	35	40	45	50				35	19	8.2	32.5	8		63			
10	12			20	25	30	35	40	45	50	60					9.6		10	+0.08	100			
12	14.5				25	30	35	40	45	50	60	70	80	42	25	10.6		12	-0	144			
16	19					30	35	40	45	50	60					14	39	16		257			

\*L size length can be customized

Copyright © CHENA INDUSTRIAL CO.,LTD ALL Rights Reserved.

**Che Na**

FAX 886-2688-3177

info@chena.com.tw

886-22688-3188  
886-2688-3881~3

No.21, Guangrong St. Shulin Dist.,  
New Taipei City 238 Taiwan (R.O.C.)