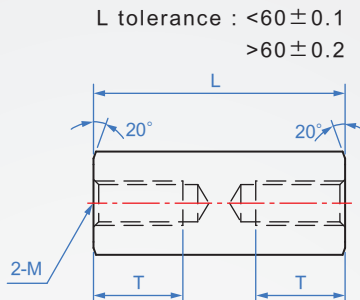
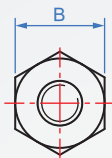


Double inner teeth

SU684 Stainless steel



Material	Finish
SUS304	Remove oil

How to order



■ Short size : Double pass full screw

1			2			unit:mm	
B	M	Pitch	L			S	T
			Designate1 mm	Designate5 mm	Designate10 mm		
5	M2.5	0.45	16	15~20	-	6	6
5	M3	0.5	18、22	20~50	60~70		
6	M4	0.7	-	20~50	60~80	8	8
7	M5	0.8	-	25~50	60~90	10	

1		2
B	M	L
5	M2.5	6~12
	M3	4~12
6	M4	6~16
7	M5	10~20

※Short size specifications will not be complete, please ask before ordering.