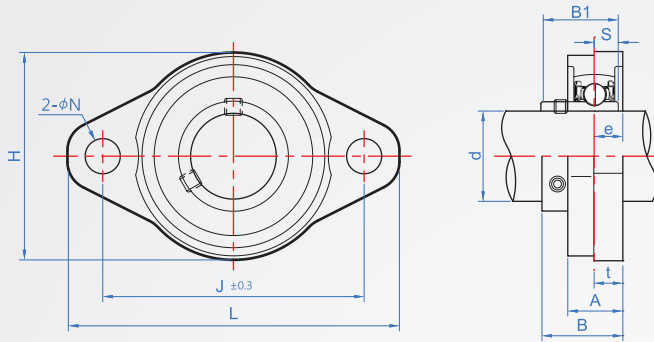


2-Bolt Flange RN515 Zinc alloy



Mold	Eccentric ring	Main part	Bearing	Set screw	Operating temperature
Hole	-	Zinc alloy die casting	SUJ2	SCM435	-10°C~ 80°C
Eccentric hole	S20C Black oxide				

Bearing NBR rubber seal

F : Hole (10~30)



A : Eccentric hole (8~30)



How to order

RN515 - 10 -
 TYPE d
 Select type
 Hole..... F
 Eccentric hole... A

Unit : mm

d	H	L	J	A	t	e	s	B Hole(Eccentric hole)	B1 Hole(Eccentric hole)	N	Applicable bolt	Basic rated load (kN)		Quality (g)	
												Cr	Cor	Hole	Eccentric hole
10	36	60	45	11.5	5.5	5.5	4	15.5 (19)	14 (17.5)	7	M6	4.6	2	50	60
12	38	63	48	11.5	5.5	5.5	4	16 (19)	14.5 (17.5)	7	M6	5.1	2.4	65	76
15	42	67	53	13	6.5	6.5	4.5	18.5 (20.5)	16.5(18.5)	7	M6	5.6	2.8	85	100
17	46	71	56	14	7	7	5	19.5 (22.5)	17.5 (20.5)	7	M6	6.0	3.3	110	129
20	55	90	71	16	8	8	6	23 (26.5)	21 (24.5)	10	M8	9.4	5.1	180	205
25	60	95	75	16	8	8	6	24.5 (27.5)	22.5(25.5)	10	M8	10.1	5.8	230	244
30	70	112	85	18	9	9	6.5	27 (29)	24.5(26.5)	13	M10	13.2	8.3	310	354

※ Set screw angle : hole type 120° ; Eccentric hole type 90°

※ B & B1 part have () is eccentric hole dimension.