

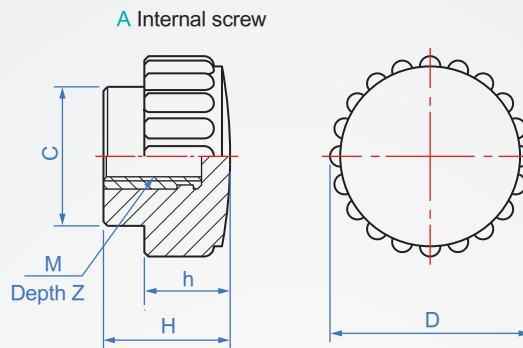
Ruled knob

VN975

Bakelite

Grip	Braces	Screw teeth
Black bakelite	Brass	Galvanized steel

Oil and chemical resistance.



How to order

VN975 - A - M4
 | | |
 TYPE Model M

							unit:mm
M	Pitch	Z Depth	C	D	H	h	
M4	0.7	8	12	16	11	8	
M5	0.8		14	20	12		
M6	1	12	17	25	17	12	
M8	1.25	16	23	32	21	15	
M10	1.5	17	31	40	23	16	

Copyright © CHENA INDUSTRIAL CO.,LTD ALL RIGHTS RESERVED.