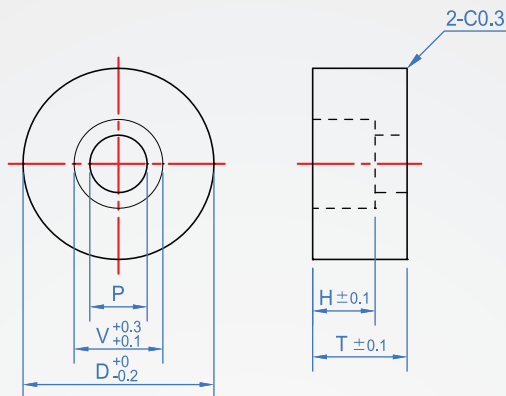


Washer with countersink

WA794

Material	Finish	Hardness
S45C	Electroless nickel	- HRC45~50
SUS304	-	-
Quite SUS440C	-	HRC45~50

How to order

WA794 - M3 - 10 - 6 -
TYPE M D T

Material chosen

S45C/Electroless nickel.....	TN
S45C+Electroless nickel/HRC45~50...	HN
SUS304.....	S304
SUS440C quite/HRC45~50.....	SH

M	D	T						P	V	H
		6	8	10	12	15	20			
M3	10	•	•	•				3.5	6	4
M4	12		•	•				4.5	8	5
M5	14		•	•				5.5	10	6
M6	15			•	•			6.5	11	8
	20			•	•	•				
M8	30				•	•		9	14	10
M10	40					•	•	11	18	12
	50					•	•			
	60					•	•			

Unit : mm

Che Na

886-2688-3177

info@chena.com.tw

 886-22688-3188
886-2688-3881~3

 No.21, Guangrong St. Shulin Dist.,
New Taipei City 238 Taiwan (R.O.C.)