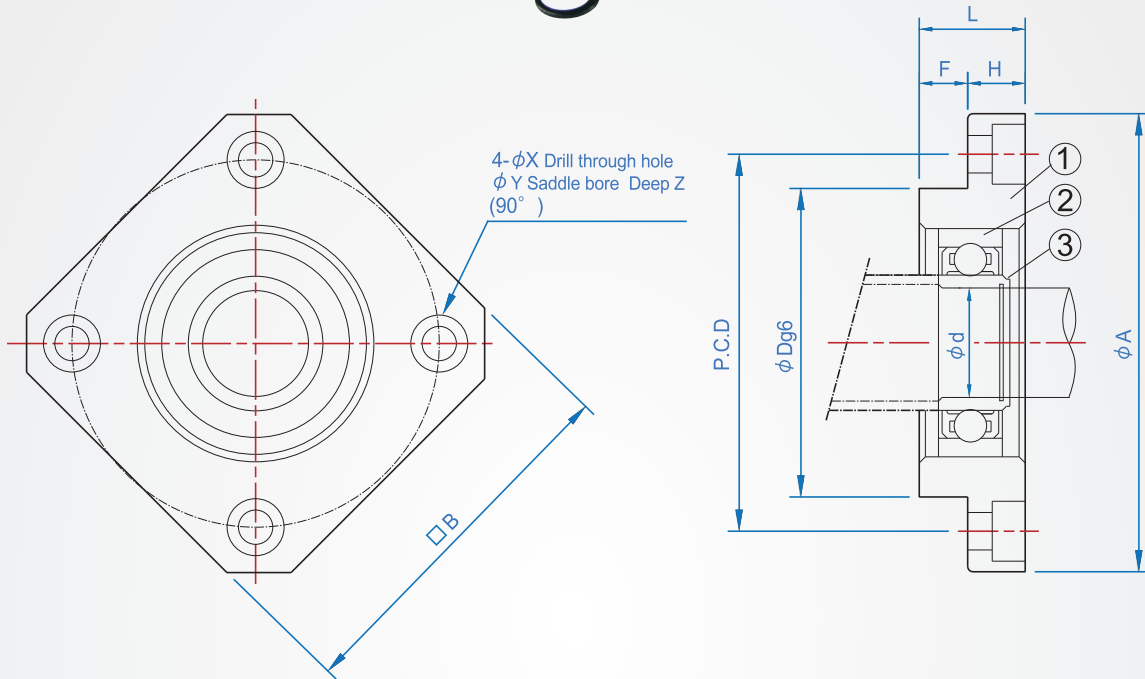


Support side

FF



Constitute parts

Number	Parts name	Quantity
①	Bearing chock	1
②	Bearing	1
③	C Type Retaining Ring	1

Material	Finish
S45C	Black oxide

How to order

FF - 12 - []
 TYPE No.
 Choose a bearing
 Deep groove ZZ made in Japan... [ZJ]
 Deep groove ZZ made in Taiwan... [ZT]

No.	d	L	H	F	Dg6	A	P.C.D	φB	X	Y	Z	Bearing	C Type Retaining Ring
6	6	10	6	4	22	36	28	28				606ZZ	S6
					-0.007 -0.020				3.4	6.5	4		
10	8	12	7	5	28	43	35	35				608ZZ	S8
12	10	15	7	8	34	52	42	42	4.5	8	4	6000ZZ	S10
					-0.009 -0.025								
15	15	17	9	8	40	63	50	52	5.5	9.5	5.5	6002ZZ	S15
20	20	20	11	9	57	85	70	68	6.6	11	6.5	6204ZZ	S20
					-0.010 -0.029								
25	25	24	14	10	63	98	80	79	9	14	8.5	6205ZZ	S25

Corresponding screw & bearing please refer to 2-19 page.