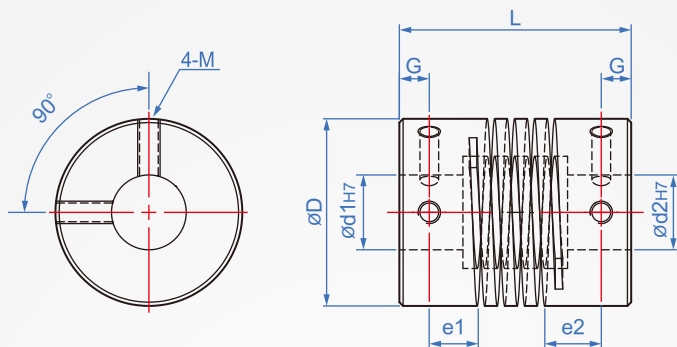


High torque spiral type

GZ405

90 degrees stop
payment fixed



Ontology	Comes with screws
A6061 (white anode)	SCM435 (dye black)
SUS304	SUS304

How to order

1 2
 GZ405 - 25 - 6x8 -
TYPE D d1xd2
 Select body material
 A6061.....
 SUS304..... **SUS**

1 **2** unit : mm

D	d1-d2	L	e1	e2	G	Screw tight		Maximum torque (N · m)	Allowable axial displacement	Maximum rotational speed (rpm)	Spring coefficient static torsion (N · m/rad)	moment of inertia (kg · m ²)	Allow partiality	Allowable deviation angle	quality (g)			
						Fixed torque M	(N · M)											
12	2 ~ 6.35	18.5	0.4	1.8	2.5	M3	1.2	0.3	±0.15	30000	40	8.0x10 ⁻⁷	0.1	2°	4			
16 S	3 ~ 7	21			3.3					0.5	25000	44			2.8x10 ⁻⁷	7.7		
16					3.6						25000	45			2.9x10 ⁻⁷	9.3		
18	4 ~ 8	23			2.7					0.6	25000	85			3.5x10 ⁻⁷	12.7		
19	4 ~ 10	19.1			2.8					0.9	24000	130			7.2x10 ⁻⁷	11.6		
20	6 ~ 10	24.5			3.3					1	19000	150			8.1x10 ⁻⁷	16		
25 S	6 ~ 12.7	25.4		0.5	2.75	3.7	M4	2.5	2	±0.15	14000	360	2.3x10 ⁻⁶	0.1	2°	26		
25	5 ~ 12.7	32									3.7	2	15000			300	3.5x10 ⁻⁷	32
29	8 ~ 14	28.6									4.6	3	14000			360	2.3x10 ⁻⁶	39
32 S	8 ~ 18	32									5.5	4	13000			380	2.5x10 ⁻⁶	57
32		41										12000	450			9.6x10 ⁻⁶	65	
38	8 ~ 22	38.1	3								6.5	9500	400			2.7x10 ⁻⁵	97	
42	12 ~ 28		3.5		8.5	M5	5	6.5	8	±0.15	9000	500	7.2x10 ⁻⁵	0.1	2°	185		
50	12 ~ 32	50									8.5	8	8000			570	8.1x10 ⁻⁵	220

Copyright © CHENA INDUSTRIAL CO., LTD ALL RIGHTS RESERVED.