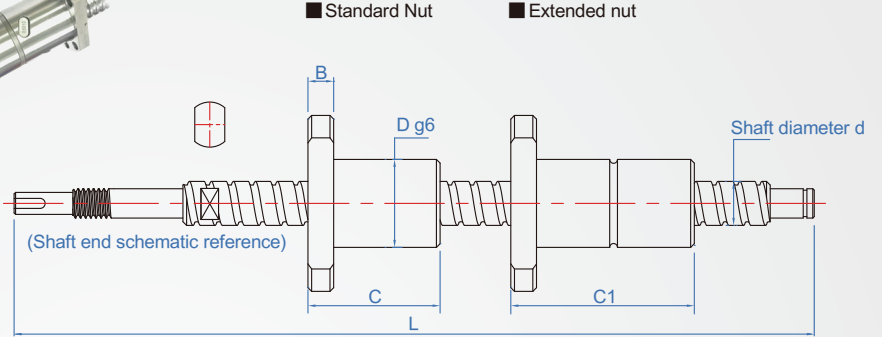
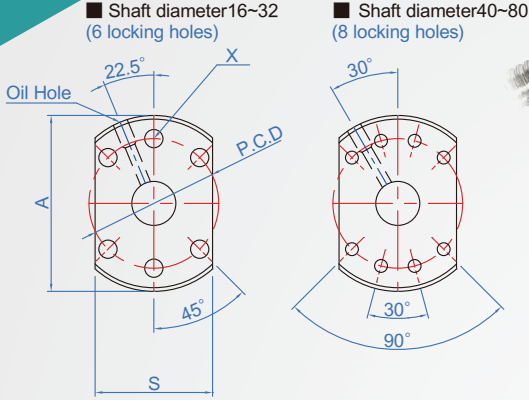


Shaft diameter 16~80

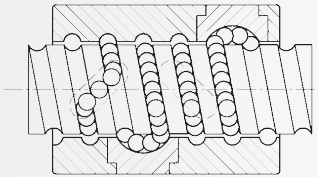
**U series**  
European regulations

Precision	screw	Shaft hardness		Nuts	
		Material	Hardness	Material	Hardness
C7	Transformation grade	S55C	Tempered Fire (HRC60)	SCM415H	Tempering (HRC60)
C5	Grinding grade				



Inner loop features/construction

The outer diameter of the nut is lighter, suitable for machines with small internal space



Lead accuracy (JIS B 1192) Unit : mm

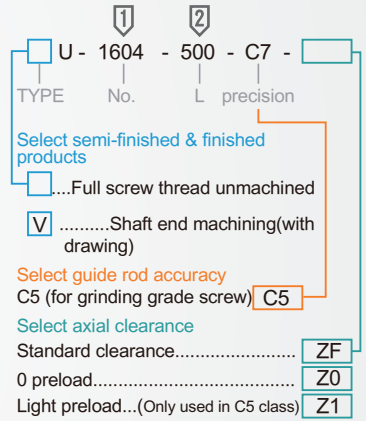
Accuracy level	C7	C10
Cumulative lead time error	±0.05/300	±0.21/300

Tolerance of the accumulated lead error (±Ec) and variation (e) of the base lead for an arbitrary 300mm effective thread

Axial standard clearance Unit : mm

Shaft diameter	Axial clearance(max)
16~28	0.10
30~32	0.14
36~45	0.17
50~80	0.20

How to order



Nuts No.		d	Guide	L	A	B	C	C1	D	S	P.C.D	X	Ball Diameter	Oil Hole	Basic load (kgf)	
Standard	Extended Type	Guide	Guide	Designation 1mm			Standard	Extended Type							Ca(Move) kN	Ca(Quiet) kN
1604	—	16	4	160~1200	48	10	45	—	28	40	38	5.5	2.381	M6	944	1254
1605-A	D1605		3				42	80							1049	1144
1605-B	—		4				50	—							1344	1525
1610	—	20	3	200 ~ 1500	58	10	65	—	36	44	47	6.6	M6	1084	1232	
2005-A	—		5				47	—						1181	1496	
2005-B	D2005		10				53	92						1512	1995	
2010	—	25	10	250 ~ 1500	62	10	68	—	40	48	51	6.6	M6	1621	1925	
2504	—		4				46	—						1178	2046	
2505-A	—		5				47	—						1330	1936	
2505-B	D2505	32	10	300 ~ 2000	80	12	53	92	50	62	65	9	M6	1704	2581	
2510-A	—		5				75	—						2250	2772	
2510-B	D2510		10				85	153						2881	3695	
3205	D3205	40	5	400 ~ 2000	93	12	53	92	63	70	78	9	M6	1924	3403	
3206	—		6				58	—						2598	4217	
3210-A	—		10				78	—						3775	5877	
3210-B	D3210	50	10	500~3000	110	16	90	160	50	62	65	9	M6	4834	7835	
4005	D4005		5				56	96						2142	4342	
4010	D4010		10				93	162						5399	10074	
5010	D5010	63	10	500~3000	125	18	93	162	75	85	95	11	M8	5933	12313	
6310	D6310		20				98	182						6700	16230	
6320	D6320		10				138	253						8957	17945	
8010	D8010	80	10	500~3000	145	20	98	182	105	110	125	13.5	M8	7547	21268	
8020	D8020		20				143	253						10168	23611	

Copyright © CHENA INDUSTRIAL CO.,LTD ALL RIGHTS RESERVED.