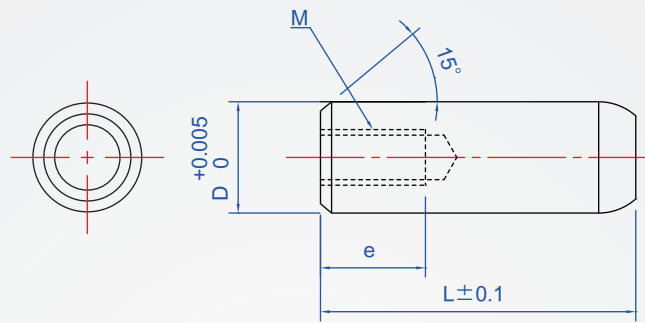


Copyright © CHENA INDUSTRIAL CO.,LTD ALL RIGHTS RESERVED.

R head positioning pin inner teeth
DD665
(+0.005)

Material	Heat treatment
S45C	HRC40~45



How to order

DD665 - 6 - 25
 | | |
 TYPE D L

1		2																		單位 : mm	
D	M x P	e	L																		
6	M4 x 0.7	8	15	20	25	30	35	40	50	55	60	65	70	75	80	90	100				
8	M5 x 0.8		15	20	25	30	35	40	50	55	60	65	70	75	80	90	100	110	120		
10	M6 x 1.0	10	15	20	25	30	35	40	50	55	60	65	70	75	80	90	100	110	120		
12	M8 x 1.25		20	25	30	35	40	50	55	60	65	70	75	80	90	100	110	120			