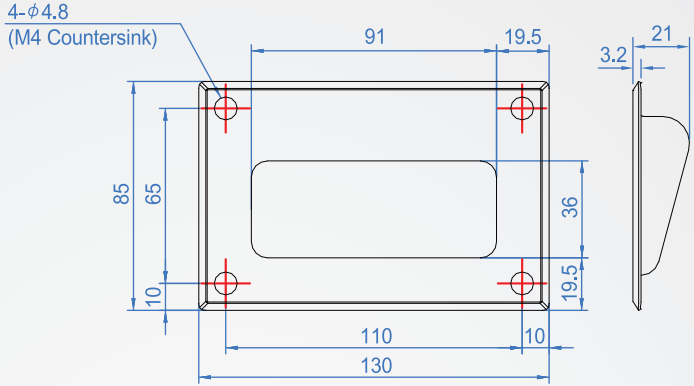


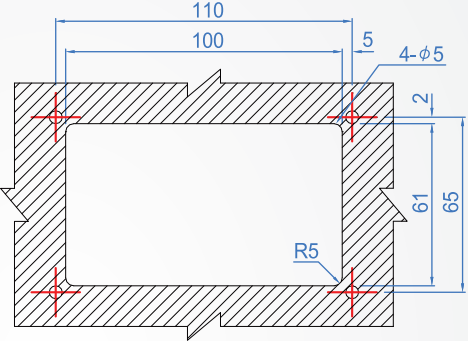
Infix handle

HA961 Flat hole

Material	Weight
SUS304	141g



■ Opening size



Features

- Stainless steel(SUS304), Vibration ground and Stain Polishing.
- Outward appearance lofty artistic.
- A good R construction on hold portion of the pocket pull, feel free and easy when hold it.
- Weight : 141g
- The clean room industry can use.

How to order

HA961 - 110
 | TYPE | P

Copyright © CHENA INDUSTRIAL CO.,LTD ALL RIGHTS RESERVED.