

Small wheel diameter

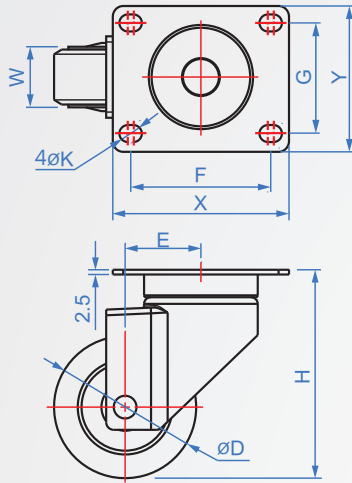
KK892

Steel plate long

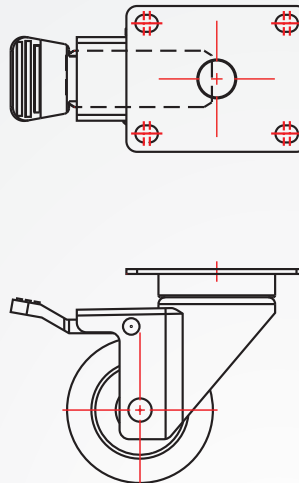


| Ontology | Surface treatment | wheel frame | Wheel | Difference |
|----------|-------------------|------------------|---------------------|------------------------------|
| Steel | electric black | PP polypropylene | PU Super glue PP | reduce noise load bearing |

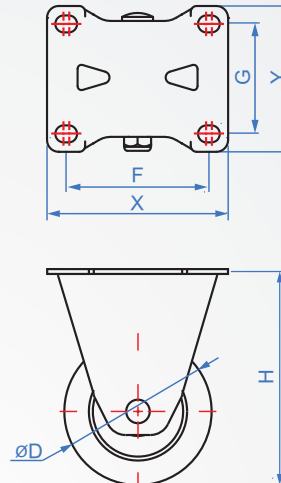
A Activity wheel



B Active + Brake Wheel



C Fixed wheel



How to order

KK892 - A - 50
TYPE Kind D

| Allowable load (kgf) | | Kind | D | | W | H | E | Chassis | | Mounting holes | | |
|----------------------|----------|-------|----------|----------|----|----|----|---------|----|----------------|----|-----|
| PU wheel | PP wheel | | PU wheel | PP wheel | | | | X | Y | F | G | K |
| 40 | 50 | A、B、C | 40 | 40H | 20 | 60 | 21 | 60 | 43 | 45 | 30 | 6.5 |
| 50 | 65 | | 50 | 50H | 24 | 75 | 23 | 70 | 51 | 52 | 35 | 8.5 |

* MC nylon (wheel diameter + H) can be selected for the wheels, and the load capacity is increased by 20%.

1kgf=9.8N