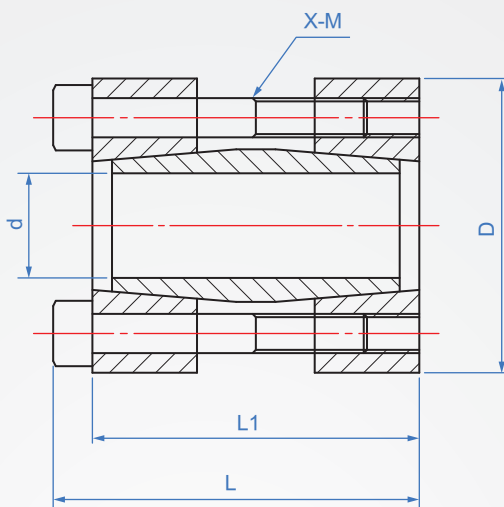


## Shaft to Shaft LP459



Material	Surface treatment
S45C	-
	Dyed black
	Electroless nickel

### How to order

LP459 - 16 - 
  
TYPE      d

**Finish chosen**  
 No finish.....   
 Black oxide.....  B  
 Electroless nickel....  TN

### Installation example



unit : mm								
d	D	L	L1	Screw rotation torque		Allowable torque Nm	Axial thrust KN	Weight (g)
				Count-M	N · m			
15	45	56	50	4-M6	17	150	17	410
16						160		500
17	50	66	60	6-M6	17	170	26	450
18						180		480
19						190		490
20						200		600
22	55	83	75	4-M8	41	260	31	600
24						360		610
25	60	93	85	6-M8	41	270	47	610
28						420		700
30						450		1300
35	75	83	75	4-M8	41	640	31	1300
40						730		1350
45	85	93	85	6-M8	41	1230	47	1850
50						1370		2090
60						2200		2360
65	105	110	100	8-M8	83	2370	64	3000
70						3050		5400
75	125	110	100	6-M10	83	3260	90	5000
80						3480		4700

Copyright © CHENA INDUSTRIAL CO.,LTD ALL Rights Reserved.