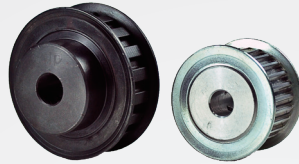
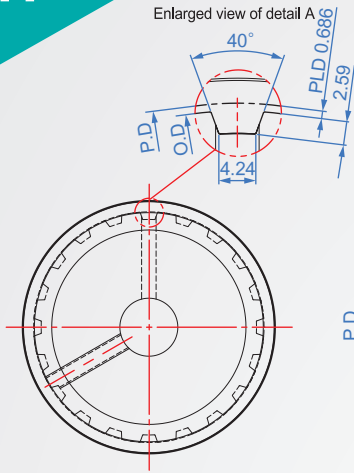


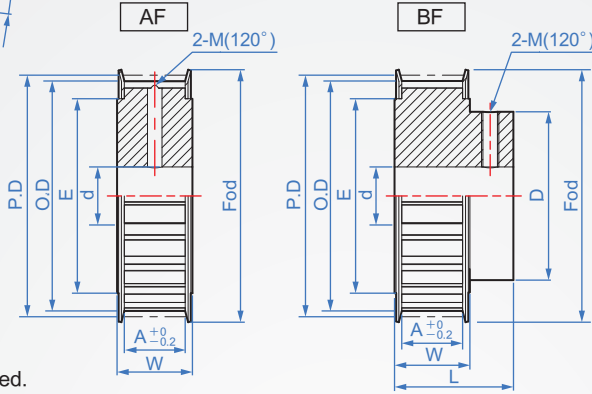
Pitch : 12.7mm

**H**



Belt width	050 (12.7mm)	075 (19.1mm)	100 (25.4mm)	150 (38.1mm)	200 (50.8mm)
Common size	A=14 W=19 L=34	A=21 W=25 L=40	A=27 W=32 L=47 (L=52)	A=40 W=45 L=60 (L=65)	A=54 W=59 L=74 (L=79)

※When less than 43 teeth (L=W+15), 44 teeth (inclusive) or more (L=W+20)



**Material** : Aluminum A6061+ anodized.  
Please contact us if you need iron material.

**How to order**

1 2 3 4

15 - H-050 - AF - H5 -

Number of teeth TYPE width Shape Hole shape

**Choose surface treatment**

AS ..... Clear anode  
AB ..... Black anode  
AN ..... Electroless nickel  
AK ..... Hardened anode

BF shape can specify changes  
Example: original D path 45, change 39... **D39**

Unit : mm										
Number of teeth	TYPE width	Shape	Hole shape	Aperture d Processing min.	P.D.	O.D.	D	E	Fod	
14				5~	56.6	55.22	39	43	60	
15			<b>H Round hole</b> 	6~	60.64	59.27	45	52.5	67.5	
16					64.68	63.31	48	60	70	
17			<b>Round hole + tapping</b> <b>P (120°)</b> <b>PV (90°)</b> 	8~	68.72	67.35	50	65	85	
18					72.77	71.3				
19					76.81	75.44	58	75	95	
20					80.85	79.48				
21			<b>Keyway + Tapping</b> <b>N (120°)</b> <b>NV (90°)</b> 	10~	84.89	83.52	63	90	110	
22					88.94	87.56				
23					92.98	91.61	95	115		
24	H-050	AF			97.02	95.65				
25					101.06	99.69	105	125		
26	H-075	BF			105.11	103.73				
27					109.15	107.78	110	130		
28	H-100				113.19	111.82				
29					117.23	115.86	115	140		
30	H-150				121.28	119.9				
31			125.32	123.95	120	146				
32	H-200		129.36	127.99						
33			133.4	132.03	71	125	152			
34			137.45	136.07						
35			141.49	140.12	75	130	165			
36			145.53	144.16						
37			149.57	148.2	80	140	170			
38			153.62	152.24						
39			157.66	156.29	145	175				
40			161.7	160.33						
41			165.74	164.37						
42			169.79	168.41						

Axis aperture	Tapping
5-12	M4
13-17	M5
18-30	M6
31-44	M8
45-65	M10
66-70	M12

Shaft bore	kw(Js9)	kh	Tapping
8-10	3	1.4	M4
NK10	4	1.8	
11-12	4	1.8	M5
13-17	5	2.3	
18-22	6	2.8	M6
23-30	8	3.8	
31-38	10	3.3	M8
39-44	12	3.8	
45-50	14	3.8	M10

Copyright © CHENA INDUSTRIAL CO., LTD ALL RIGHTS RESERVED.