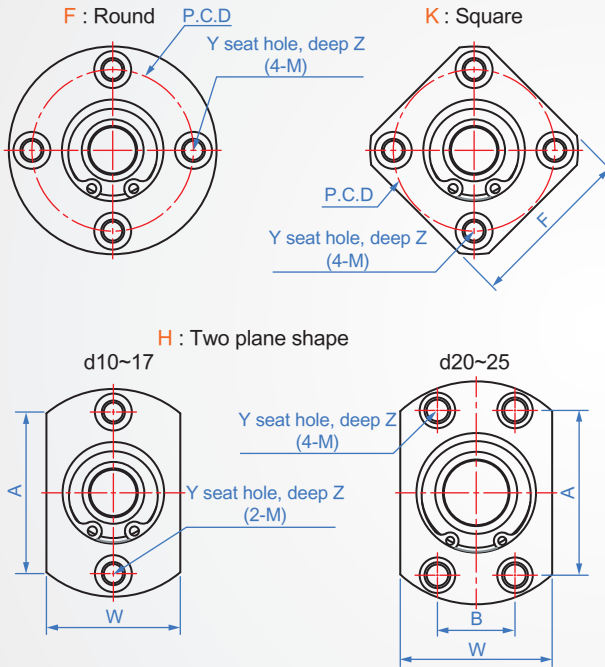


## Flange double bearing type

# BH555

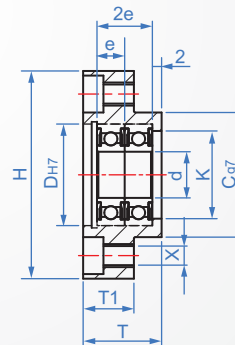
Buckle ring



Appearance	Material	Finish	Bearing
F Round	Iron S45C	TN Electroless nickel	SUJ2 (JIS 0)
	Aluminum A6061	AS Clear anodizing	
K Square	Iron S45C	TN Electroless nickel	
	Aluminum A6061	AS Clear anodizing	
H Two plane shape	Iron S45C	TN Electroless nickel	
	Aluminum A6061	AS Clear anodizing	

※Accessory : C type retaining ring(SUS304)

### How to order



Bearing code	d	D H7	Tolerance	T	T1	e	H	F	W	K	P.C.D	A	B	X (Coarse teeth)						
														Y	Z					
6000ZZ	10	26	+0.021 0	21	13	8	50	39	34	32	40	40	-	M5 (4.3)	8	4.4				
6001ZZ	12	28	0				52	40	36	34	42	42								
6002ZZ	15	32	+0.025 0				23	14	9	60	46	40					38	48	48	
6003ZZ	17	35					26	16	10	66	50	44					42	54	54	
6004ZZ	20	42					77	59	54	50	64	56					32	M8 (6.8)	11	6.5
6005ZZ	25	47					88	67	58	54	72	63					36	M10 (8.5)	14	8.6

unit : mm